



[USGS Home](#)

[Contact USGS](#)

[Search USGS](#)

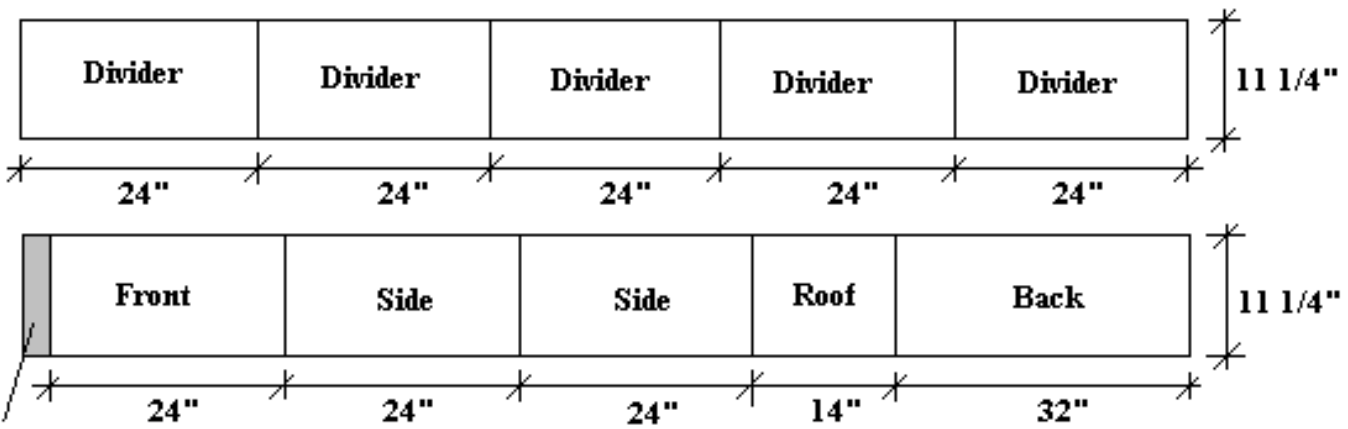
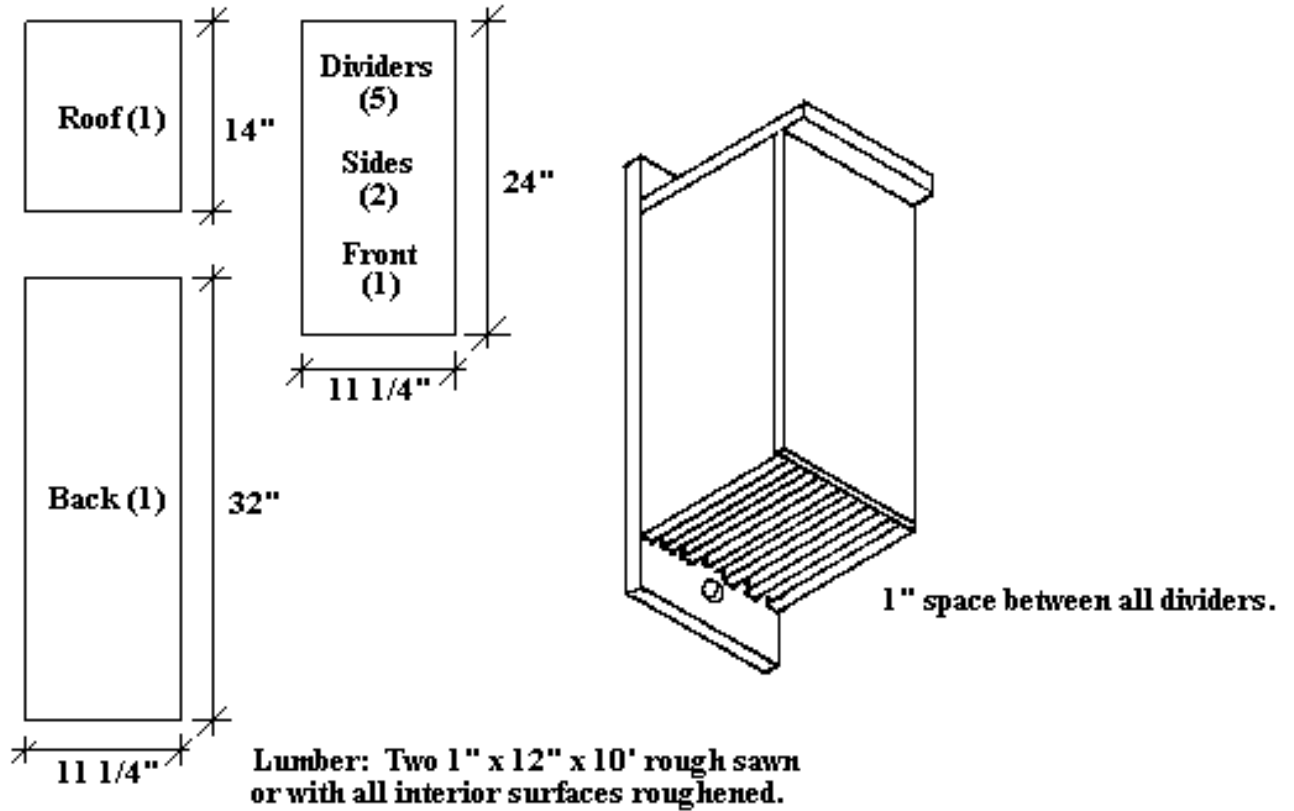
**Northern Prairie Wildlife Research Center**

# **Building Nest Structures, Feeders, and Photo Blinds for North Dakota Wildlife**

## **Johnson Bat House**

---

# Johnson Bat House



Save!

**Note:** All external seams and joints should be caulked if not tight fitting. Divider boards are spaced 1 inch apart.

[Previous Section](#)--Small Bat House

[Return to Contents](#)

[Next Section](#)--Wood Duck and Hooded Merganser Nest Box

[NPWRC Home](#) | [Site Map](#) | [About Us](#) | [Staff](#) | [Search](#) | [Contact](#) | [Web Help](#) | [Copyright](#)

[Accessibility](#) [FOIA](#) [Privacy Policies](#) and [Notices](#)

[U.S. Department of the Interior](#) | [U.S. Geological Survey](#)

URL: <http://www.npwrc.usgs.gov/resource/wildlife/ndblinds/johnbat.htm>

Page Contact Information: [npwrc@usgs.gov](mailto:npwrc@usgs.gov)

Page Last Modified: August 3, 2006

