

AllWoodWork.com

Your Online Community for WoodWorking, Home, & Gardening

Free
Plans
Section

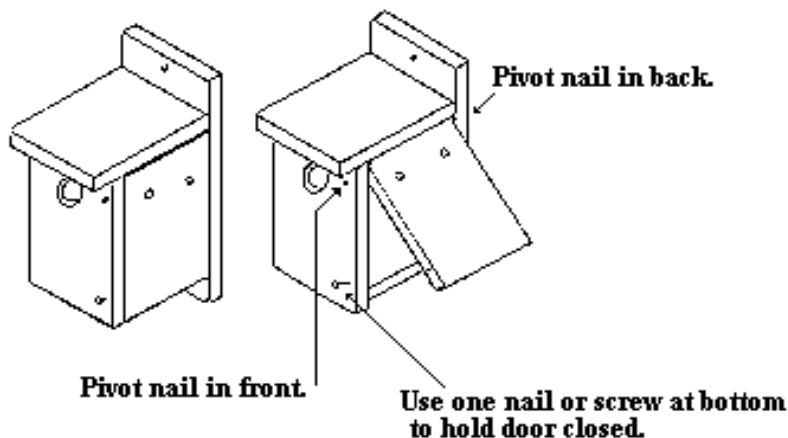
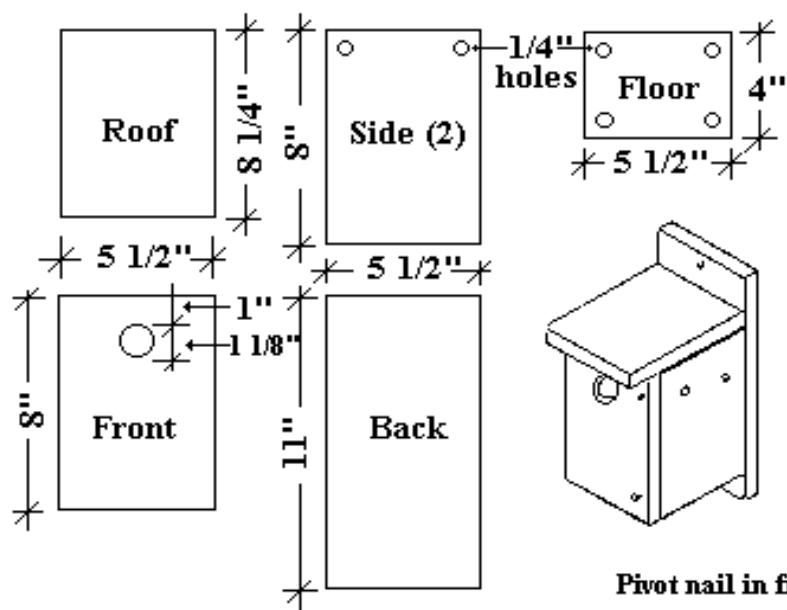
Home	Forums	Chat	Articles	Tips	Events	Reviews
Members	Shopping	Free Plans	Misc. Pages	Links	Free Catalog	

House Wren*, Black-capped Chickadee*,
White-breasted Nuthatch

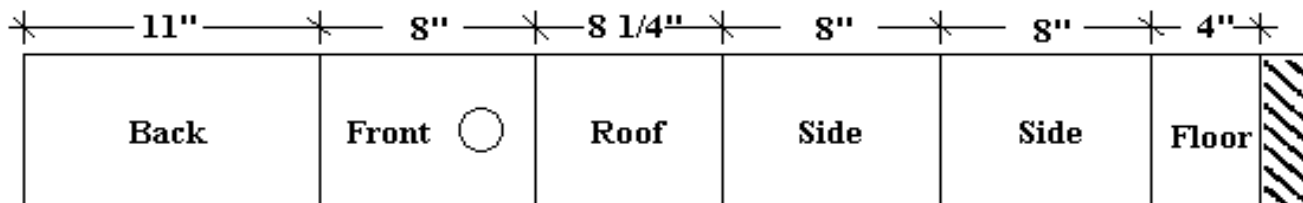


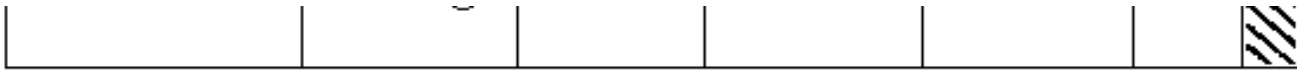
Note: Entrance hole diameter is 1 1/8".

(An entrance hole diameter of 1 1/4" is needed for the white-breasted nuthatch.)



Lumber: One 1" x 6" x 4'0".





*Please note that any birdhouse entrance 1 1/4 inches in diameter or larger will admit house sparrows! All wren and chickadee nest boxes should have an entrance hole of 1 1/8 inches in diameter.

Save!

Daily Deals for May 5, 2008

	<u>Reg Price</u>	<u>Sale Price</u>	<u>You Save</u>
Waltz of the Flowers 50-Note Musical Movement	\$249.99	\$199.99	20%
1/4 Dia. X 1/4 H Core Box Bit	\$14.99	\$10.39	31%
5/8 Thick by 2-2/4 Wide Embossed Molding	\$19.99	\$13.99	30%

[Site Map](#)

©2003, 2004 AllWoodWork.com all rights reserved. [contact us](#) , [privacy policy](#). Established Feb. 14, 2003