



Shaw Creek Bird Supply

Bird Houses

Bird Feeders

Hummingbird Feeders

Bird Baths

Information & Links

Gift Certificates

Secure Shopping



- [Wren Houses](#)
- [Hanging Carolina Wren House](#)
- [House Wren House](#)
- [Hanging Wren House](#)
- [Backyard Bird House](#)
- [Hanging Garden Design Bird House](#)
- [Small Winter Roost](#)
- [Large Winter Roost](#)

- [Wrens](#)
- [Carolina Wren](#)
- [House Wren](#)

Shaw Creek Bird Supply

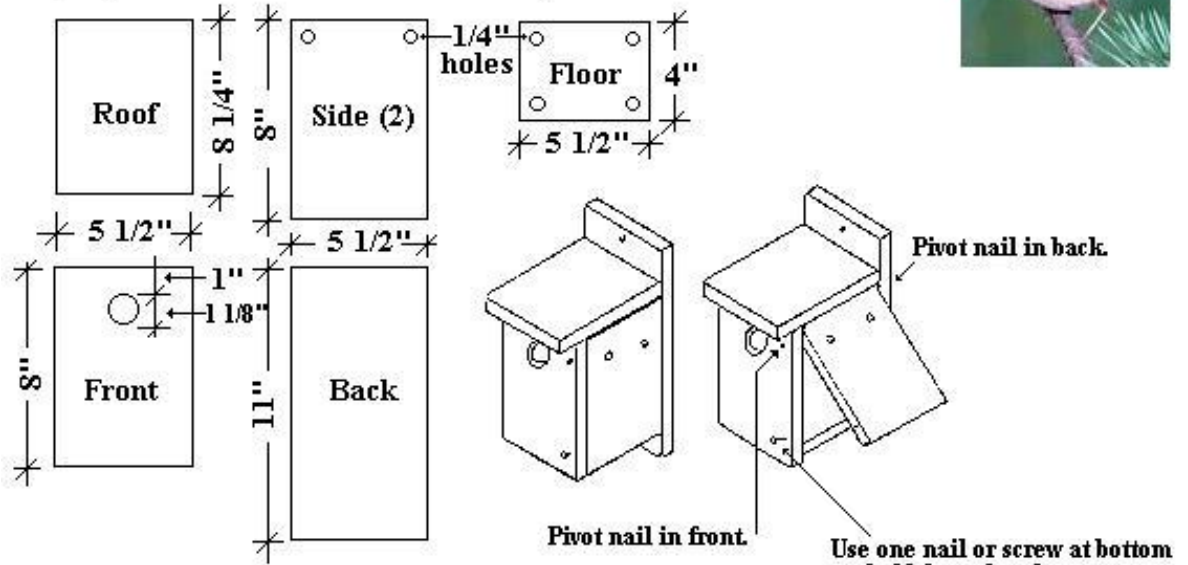


House Wren Nest Box Plans

House Wrens prefer forest edges, open woodlands, swamps, city parks, and suburban areas. A wide variety of sites are used for nesting. Nest boxes are readily accepted, and other, more unusual, locations noted include cans in garbage heaps, large abandoned hornet nests, old shoes, boots, hats, or the pockets of a scarecrow. Once an appropriate site is selected, the wrens fill the nest cavity with coarse twigs, sticks, and grass. The nest is lined with feathers, wool, hair, or catkins.

House Wren Nest Box Plans

Entrance hole diameter is 1 1/8 inch.
Any larger entrance hole will admit house sparrows.



Lumber: One 1" x 6" x 4'0".

Visit [Shaw Creek Bird Supply](#) to see our selection of [Wren Houses](#).

Copyright © 2003 [Shaw Creek Bird Supply](#)