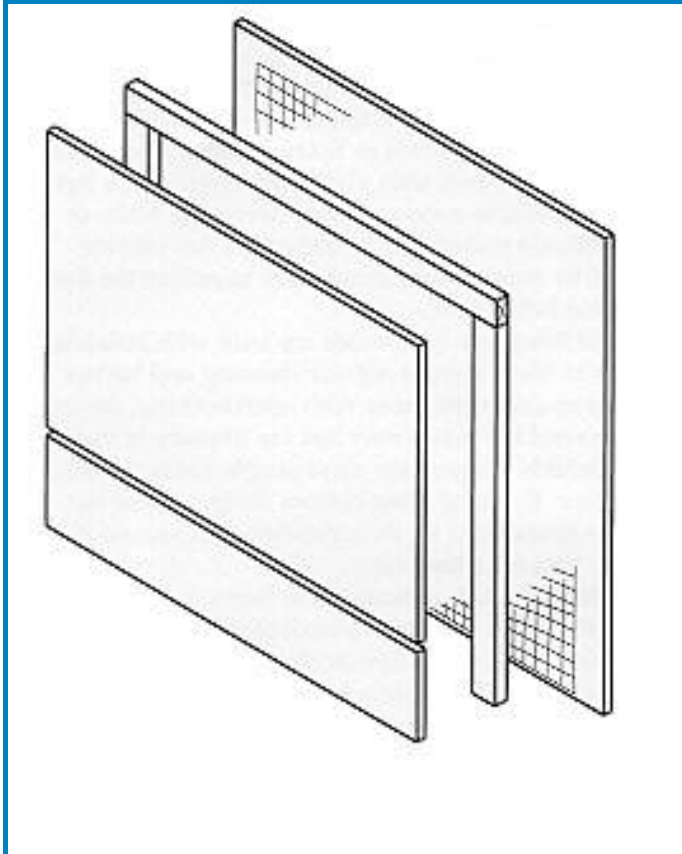




[«Back](#)

SINGLE CHAMBER BAT HOUSE (WALL MOUNTED)



Materials Needed (makes 1)

1/4 sheet (2' x 4') 1/2" ACX, BCX, or T1-11 (outdoor grade) plywood. *DO NOT use pressure treated wood.*

One piece 1" x 2" (3/4" x 1 1/2" finished) x 8' pine (furring strip)

20-30 exterior grade screws, 1"

One pint dark, water-based stain, exterior grade

One pint water-based primer, exterior grade

One quart flat water-based paint or stain, exterior-grade

One tube paintable latex caulk

1" x 4" x 28" board for roof (optional, but highly recommended)

Black asphalt shingles or galvanized metal (optional)

6-10 roofing nails, 7/8" (optional)

Recommended Tools

Table saw or handsaw

Caulking gun

Variable speed reversing drill

Screwdriver bit for drill

Paintbrushes

Phillips bit for drill

Tape measure or yardstick

Scissors (optional)

Staple gun (optional)

Hammer (optional)

Tin Snips (optional)

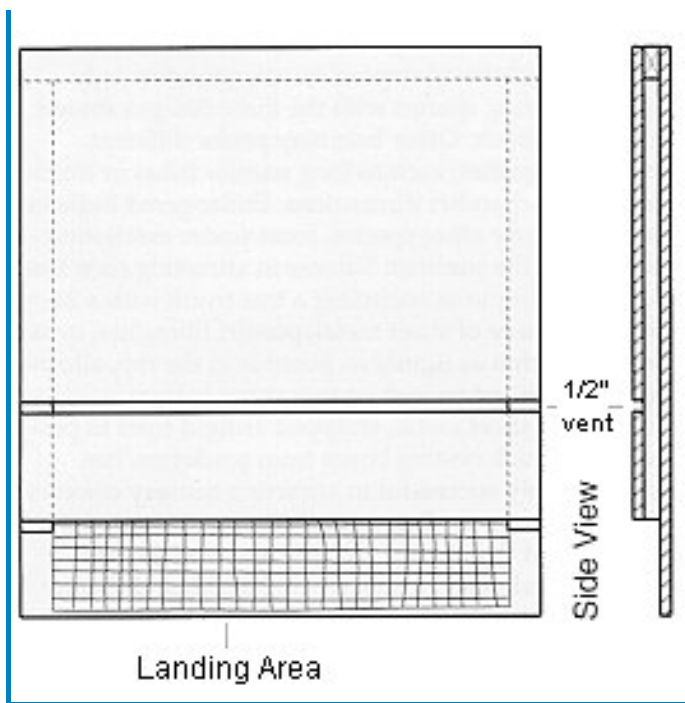
Construction Procedure

1. Measure and cut plywood into three pieces:

26 1/2" x 24"

16 1/2" x 24"

5" x 24"



2. Roughen inside of backboard and landing area by cutting horizontal grooves with sharp object or saw. Space grooves about 1/2" apart, cutting 1/16" to 1/32" deep.

3. Apply two coats of dark, water-based stain to interior surfaces. Do not use paint, as it will fill grooves, making them unusable.

4. Measure and cut furring into one 24" and two 20 1/2" pieces.

5. Attach furring strips to back, caulking first. Start with 24" piece at top. Roosting chamber will be 3/4" wide (front to back).

6. Attach front to furring strips, top piece first (don't forget to caulk). Leave 1/2" vent space between top and bottom front pieces.

7. Caulk around all outside joints to further seal roosting chamber.

8. Attach a 1" x 3" x 28" board to the top as a roof, if desired (optional, but highly recommended).

9. Paint or stain exterior three times (use primer for first coat).

10. Cover roof with shingles or galvanized metal (optional).

11. Mount on building (south or east sides usually best).

Optional Modifications to the Small Economy Bat House

1. Wider bat houses can be built for larger colonies. Be sure to adjust dimensions for back and front pieces and ceiling strip. A 3/4" support spacer may be required in the center of the roosting chamber for bat houses over 24" wide to prevent warping.

2. Two bat houses can be placed back to back, mounted on poles. Before assembly, a horizontal 3/4" slot should be cut in the back of each house about 9" from the bottom edge of the back piece to permit movement of bats between houses. Two pieces of wood, 1" x 4" x 4 1/4", screwed horizontally to each side, will join the two boxes. To provide additional roosting space, leave a 3/4" space between the two houses, and roughen the wood surfaces or cover the back of each with plastic mesh. (Do not cover the rear exit slots; see item 4 below).

One 1" x 4" x 34" vertical piece attached to each side over the horizontal pieces blocks light, but allows bats and air to enter. A galvanized metal roof, covering both houses, protects the center roosting area from rain. Eaves should be about 3" in southern areas and about 1 1/2" in the north.

3. Ventilation may not be necessary in cold climates. In this case, the front should be a single piece 23" long. **Smaller bat houses like this one will be less successful in cool climates. However, those**

mounted on buildings gain heat faster, maintain thermal stability better and are more likely to attract bats.

4. Durable plastic mesh can be substituted for roughening to provide footholds for bats. Attach one 20" x 24 1/2" piece to backboard after staining interior, but prior to assembly.

[«Back](#)