

SCALE

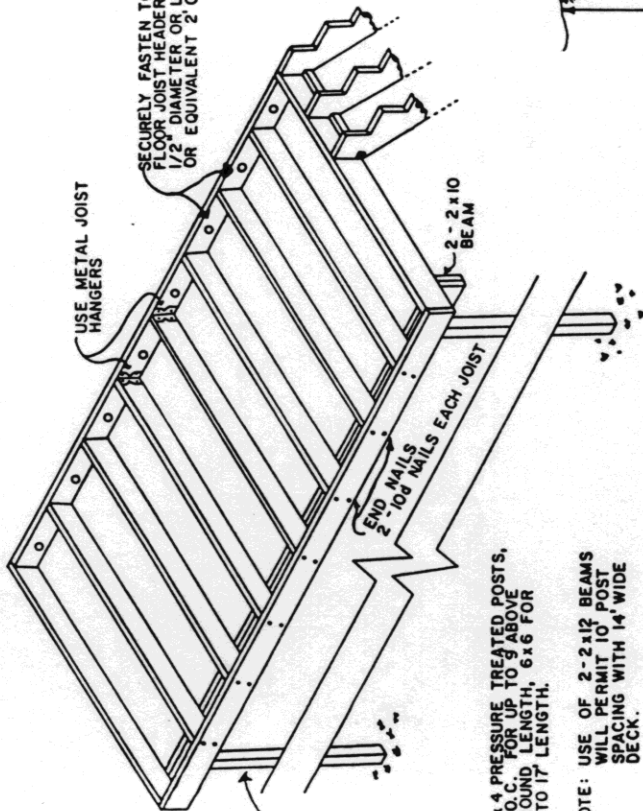
COOPERATIVE EXTENSION SERVICE
AGRICULTURE AND HOME ECONOMICS

UNITED STATES DEPARTMENT OF AGRICULTURE COOPERATING

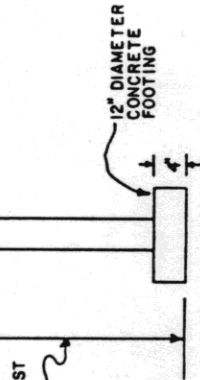
ATTACHED PORCH DECK

MD 88 6406 SHEET 1 OF 1

USE METAL JOIST HANGERS
SECURELY FASTEN TO EXISTING FLOOR JOIST HEADER OR END JOIST, 1/2" DIAMETER OR LARGER BOLT OR EQUIVALENT 2" O.C.



NOTE: USE OF 2-2x12 BEAMS WILL PERMIT 10' POST SPACING WITH 14' WIDE DECK.



FOOTING DETAIL

**FRAMING ISOMETRIC
FOR JOIST SPANS
(BEAM TO BEAM) OF 12' OR LESS**

- NOTES:
1. THESE PLANS ARE DESIGNED TO SHOW BASIC DECK CONSTRUCTION, ASSUMING 50 lb/sq. ft. TOTAL LOAD -- A HOME USE STANDARD
 2. THE BASIC MODULE (14' x 16') MAY BE SHORTENED OR EXTENDED ALONG THE 16' DIMENSION
 3. REFER TO TABLE 1 WHEN SPANNING OTHER DISTANCES THAN SHOWN IN THIS PLAN
 4. PRESSURE PRESERVATIVE (CCA) TREATED WOOD SHOULD BE USED. USE OF TREATED LUMBER FOR POSTS AND BEAMS AND REDWOOD FOR DECKING AND RAILS IS A POPULAR CHOICE
 5. DECKS MAY BE OF ANY WEATHER RESISTANT MATERIAL THAT HAS ADEQUATE STRENGTH SUCH AS 23/32 INCH APA RATED STURD - II - FLOOR EXT. ALUMINUM WEATHER RESISTANT PRESERVATIVE TREATED, 1.5" THICK BOARDS ARE EXCELLENT EXCEPT THAT TREATMENT CHEMICAL MUST BE EPA APPROVED FOR THIS USE

- NOTE:
- THINNER WOOD DECKS REQUIRE CLOSER SPACING OF JOIST
 - SEE 6407 FOR STAIR AND RAILING DETAIL

TABLE 1

JOIST SIZE AND SPAN CHART

BOARD SIZE	#1 GRADE 16" O.C. MAX. SPAN	#1 GRADE 24" O.C. MAX. SPAN	#2 GRADE 16" O.C. MAX. SPAN	#2 GRADE 24" O.C. MAX. SPAN
2 x 6	9' - 9"	7' - 11"	8' - 7"	7' - 0"
2 x 8	12' - 10"	10' - 6"	11' - 4"	9' - 3"
2 x 10	16' - 5"	13' - 0"	14' - 6"	11' - 10"