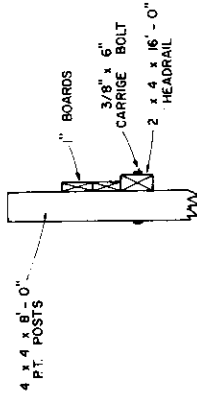


**FRONT VIEW**

SCALE: 3/4" = 1'-0"



**DETAIL OF OPTIONAL SILAGE DEFLECTOR**

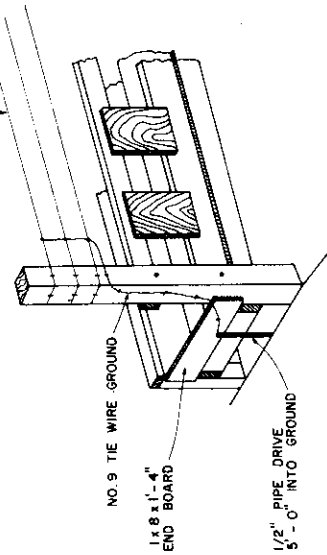
SCALE: 1" = 1'-0"

**CROSS SECTION**

SCALE: 1/2" = 1'-0"

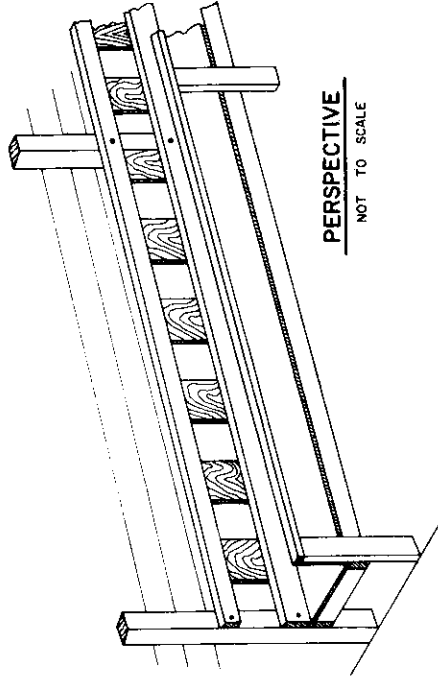


3 STRAND OF NO. 9 TIE WIRE STAPLED TO POSTS



**END VIEW**

NOT TO SCALE



**PERSPECTIVE**

NOT TO SCALE

SCALE: 1" = 1'-0" UNLESS OTHERWISE NOTED.

COOPERATIVE EXTENSION WORK IN AGRICULTURE AND HOME ECONOMICS

AND UNITED STATES DEPARTMENT OF AGRICULTURE COOPERATING

FENCELINE FEEDER FOR SHEEP

USDA '79 EX. 6328 SHEET 1 OF 1

**TABLE OF FEEDER HEIGHT**

SHEEP SIZE	HEIGHT TO THROAT 'H'
SMALL BREEDS & FEEDER LAMBS	10" TO 1'-6"
MEDIUM BREEDS	1'-5" TO 1'-8"
LARGE BREEDS	1'-8" TO 1'-10"

NOTE: BASED ON CANADA PLAN NO. 4618