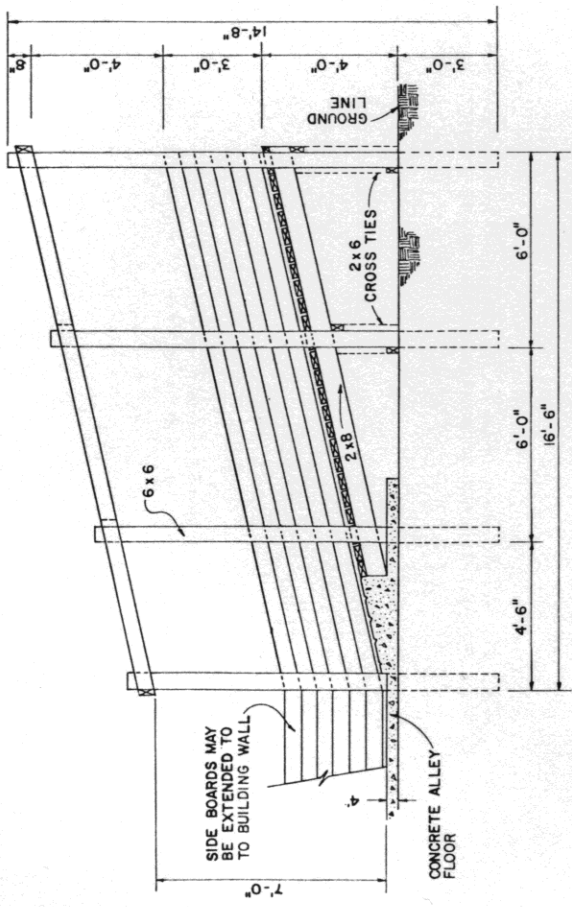


COOPERATIVE EXTENSION WORK IN
 AGRICULTURE AND HOME ECONOMICS

AND
 UNITED STATES DEPARTMENT OF AGRICULTURE COOPERATING

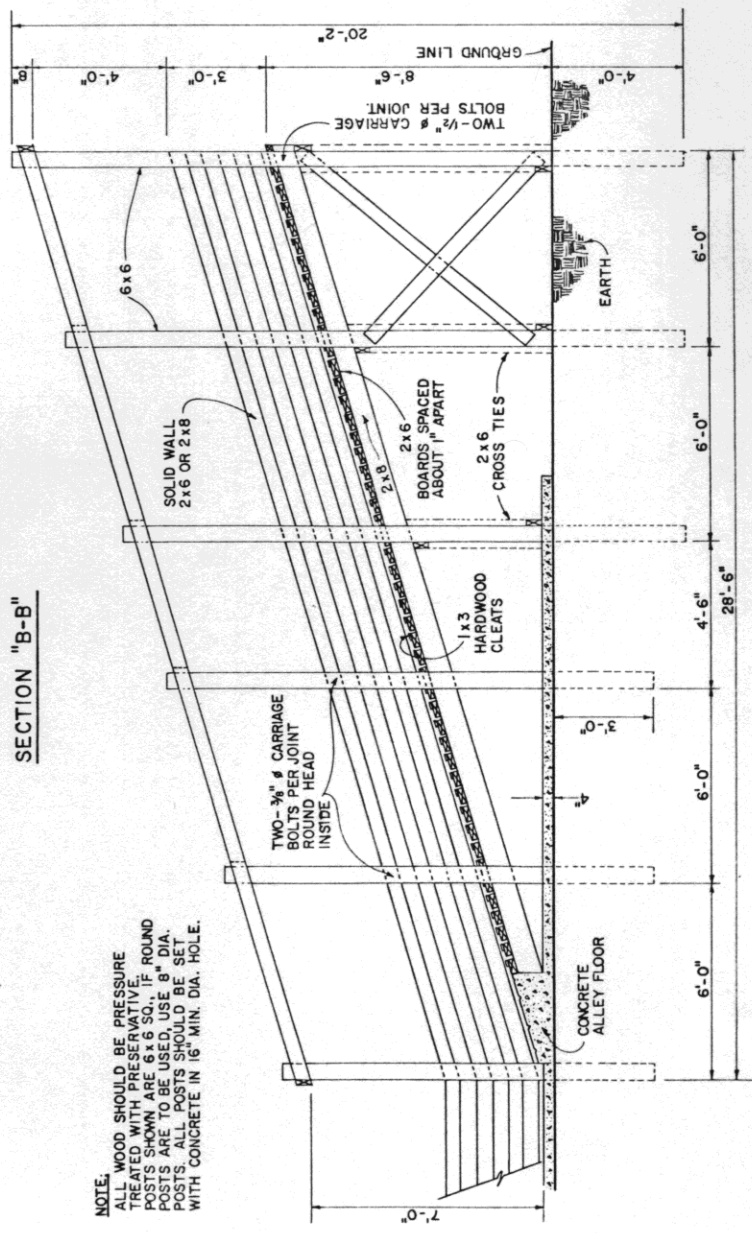
HOG LOADING CHUTE

MISS. '78 6309 SHEET 1 OF 1



SECTION "B-B"

NOTE.
 ALL WOOD SHOULD BE PRESSURE
 TREATED WITH PRESERVATIVE. THE ROUND
 POSTS SHOWN ARE 6 x 6 S.C. 16" ROUND
 POSTS ARE TO BE USED. USE 8" DIA.
 POSTS. ALL POSTS SHOULD BE SET
 WITH CONCRETE IN 16" MIN. DIA. HOLE.



SECTION "A-A"