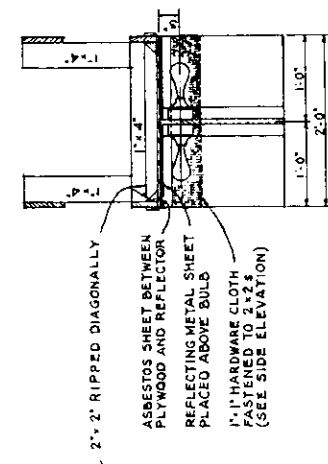
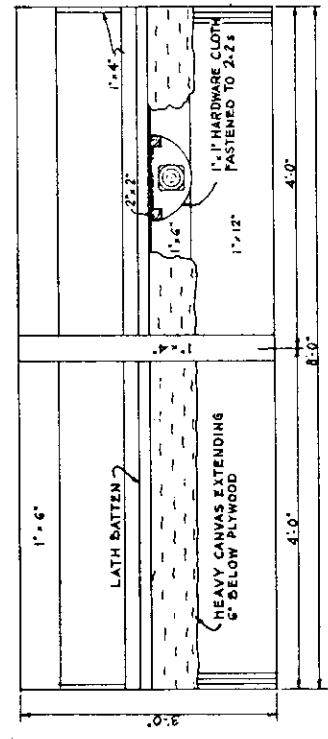


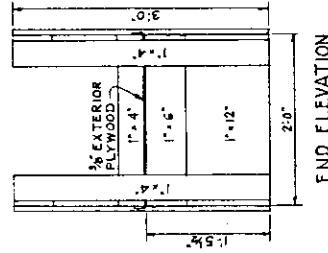
PLAN



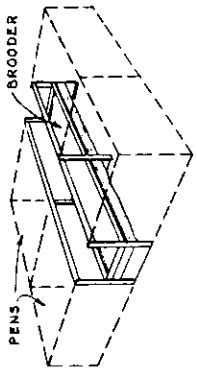
SECTION A-A



SIDE ELEVATION



END ELEVATION

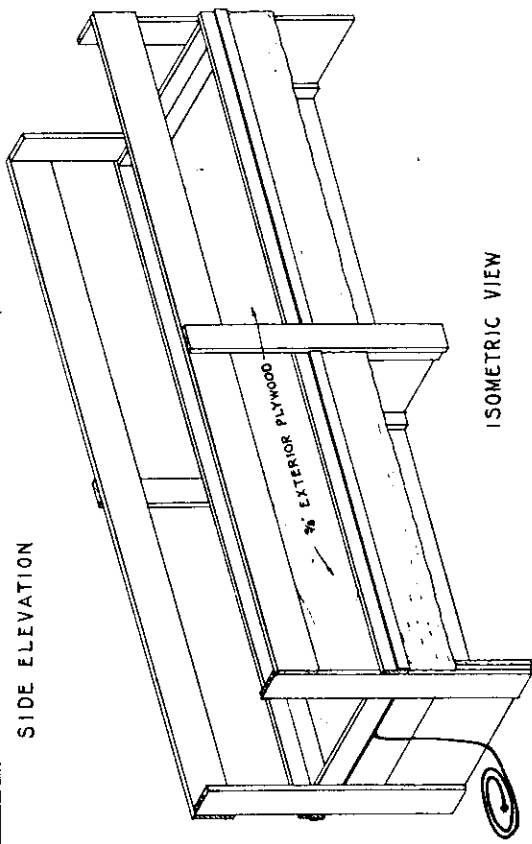


DIAGRAMMATIC LAYOUT OF BROODER AND PENS

BILL OF MATERIALS

LUMBER:	1' x 2' x 12'-0"	1 PC.
	1' x 4' x 10'-0"	4 PCS.
	1' x 6' x 10'-0"	5 PCS.
	2' x 2' x 4'-0"	1 PC.
	2' x 2' x 10'-0"	1 PC.
MISCELLANEOUS:		
	2' x 8' x 8'-0"	1 PC. EXTERIOR PLYWOOD
	1'-0' x 6'-0"	1 PC. 1' x 1' HARDWARE CLOTH
	1'-0' x 4'-0"	1 PC. REFLECTING METAL
	2'-8' x 4'-0"	1 PC. HEAVY CANVAS
		NAILS AS REQUIRED
ELECTRICAL:		
		4 EA. NON-METALLIC JUNCTION BOXES
		4 EA. PORCELAIN LIGHT RECEPTACLE
		(PULL CHAIN OPTIONAL)
		4 EA. LIGHT PULB'S (SIZE VARIES WITH HEATING REQUIREMENTS)
		10 FT. NON-METALLIC SHEATHED CABLE NO. 14-2
		10 FT. RUBBER COATED EXTENSION CORD NO. 14-2
		1 EA. MALE PLUG

NOTE: TACK FOUR 4' x 4' LAMBING PENS TO EACH OF THESE UNITS. WHEN THE UNITS ARE PLACED END TO END, EACH BROODER MUST BE PLUGGED IN SEPARATELY TO AN ELECTRICAL SERVICE OUTLET WHICH IS PROPERLY WIRED TO CARRY THE LOAD.



ISOMETRIC VIEW

SCALE: 1" = 1'-0" UNLESS OTHERWISE NOTED.

COOPERATIVE EXTENSION WORK IN  
 AGRICULTURE AND HOME ECONOMICS  
 DEPARTMENT OF AGRICULTURAL ENGINEERING  
 UNIVERSITY OF MARYLAND

UNITED STATES DEPARTMENT OF AGRICULTURE COOPERATIVE  
 AND

COMBINATION  
 LAMB BROODER AND EWE FEEDER  
 ORE. '55 | EX. 5863 | SHEET 1 OF 1