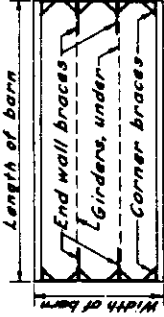
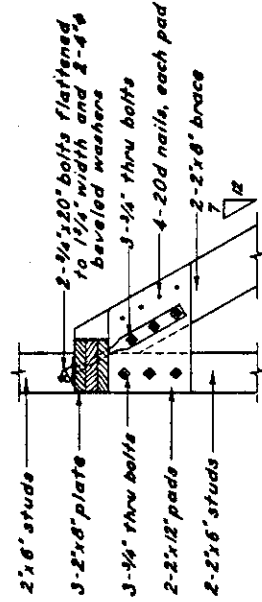


DETAIL B



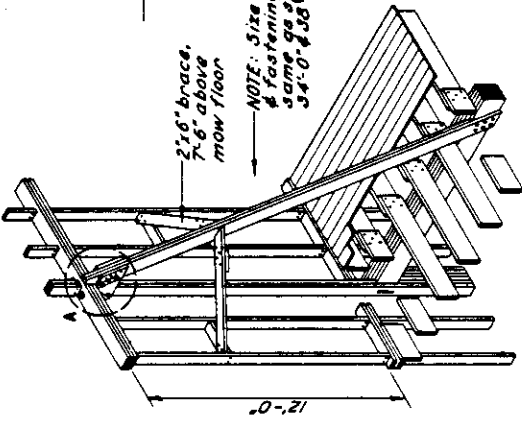
PLAN AT PLATE
ARRANGEMENT DIAGRAM

1/2 ELEVATION - WITH HAY DOOR
1/2 ELEVATION - WITHOUT HAY DOOR
TYPICAL END WALL FRAMING



DETAIL A

NOTE: Size of members, & fastening details are same as specified for 34'-0" & 38'-0" width barns.



TYPICAL INSTALLATION (36'-0" WIDTH BARN)

END WALL BRACE (4 REQUIRED)

COOPERATIVE EXTENSION WORK IN AGRICULTURE AND HOME ECONOMICS
AND
UNITED STATES DEPARTMENT OF AGRICULTURE EXPERIMENT STATIONS
END WALL BRACES - GOTHIC BARN HURRICANE AREAS
U.S.D.A. '49 E.K. 8680 SHEET 1 OF 1