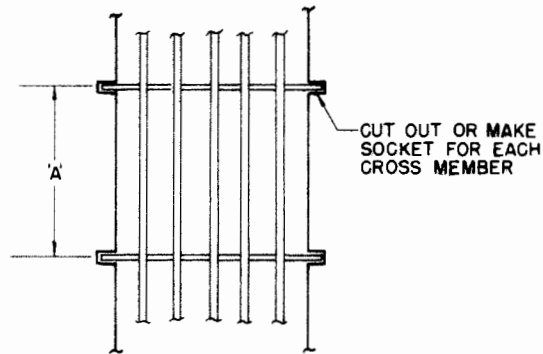
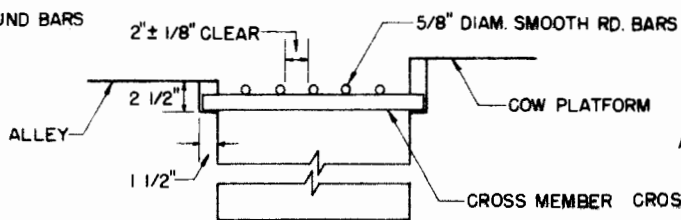
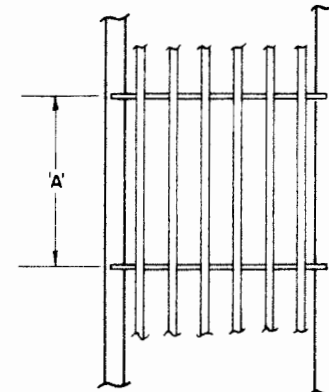
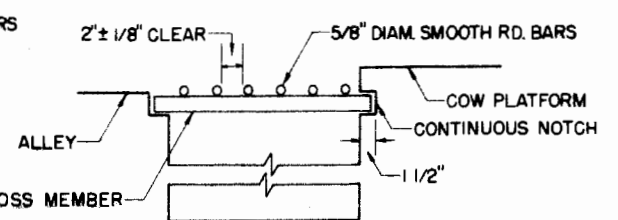


**OPTION A**

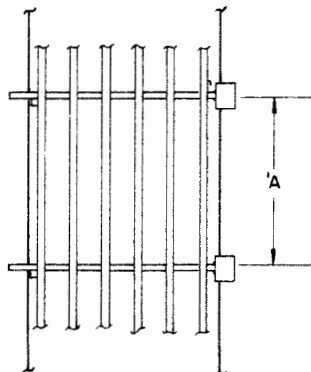
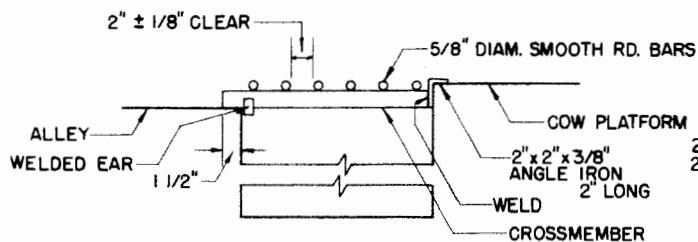


**OPTION B**



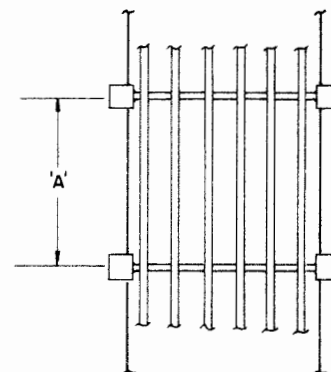
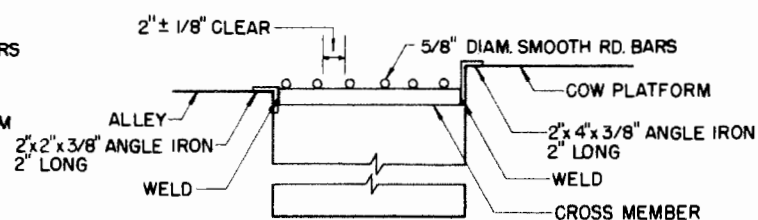
**OPTION C**

BEST SUITED TO NEW CONSTRUCTION OR REMODELING



**OPTION D**

CONTINUOUS PIECES OF ANGLE IRON CAN BE USED, HOWEVER, DIFFICULTY IN CLEANING ALLEY AND PLATFORM SHOULD BE ANTICIPATED.



**OPTION E**

CONTINUOUS PIECES OF ANGLE IRON CAN BE USED, HOWEVER, DIFFICULTY IN CLEANING ALLEY AND PLATFORM SHOULD BE ANTICIPATED.

**NOTES:**

1. DIMENSION 'A':
  - A. 12" IF CROSSED BY EQUIPMENT OR IN MAIN CATTLE TRAFFIC LANE.
  - B. 16" FOR STALL BARN AND OTHER THAN NO. 1A.
2. A. CROSSMEMBERS= 1/2" x 1 1/2" FOR 1A.
- B. CROSSMEMBERS= 3/8" x 1 1/2" FOR 1B.

BASED ON: PENN. STATE UNIV. PLAN NO. 723-232



**GUTTER GRATE DESIGNS**

## Disclaimer

This site makes available conceptual plans that can be helpful in developing building layouts and selecting equipment for various agricultural applications. These plans do not necessarily represent the most current technology or construction codes. They are not construction plans and do not replace the need for competent design assistance in developing safe, legal and well-functioning agricultural building system. The LSU Agriculture Center, the Mid-West Plan Service, the United States Department of Agriculture and none of the cooperating land-grant universities warranty these plans.