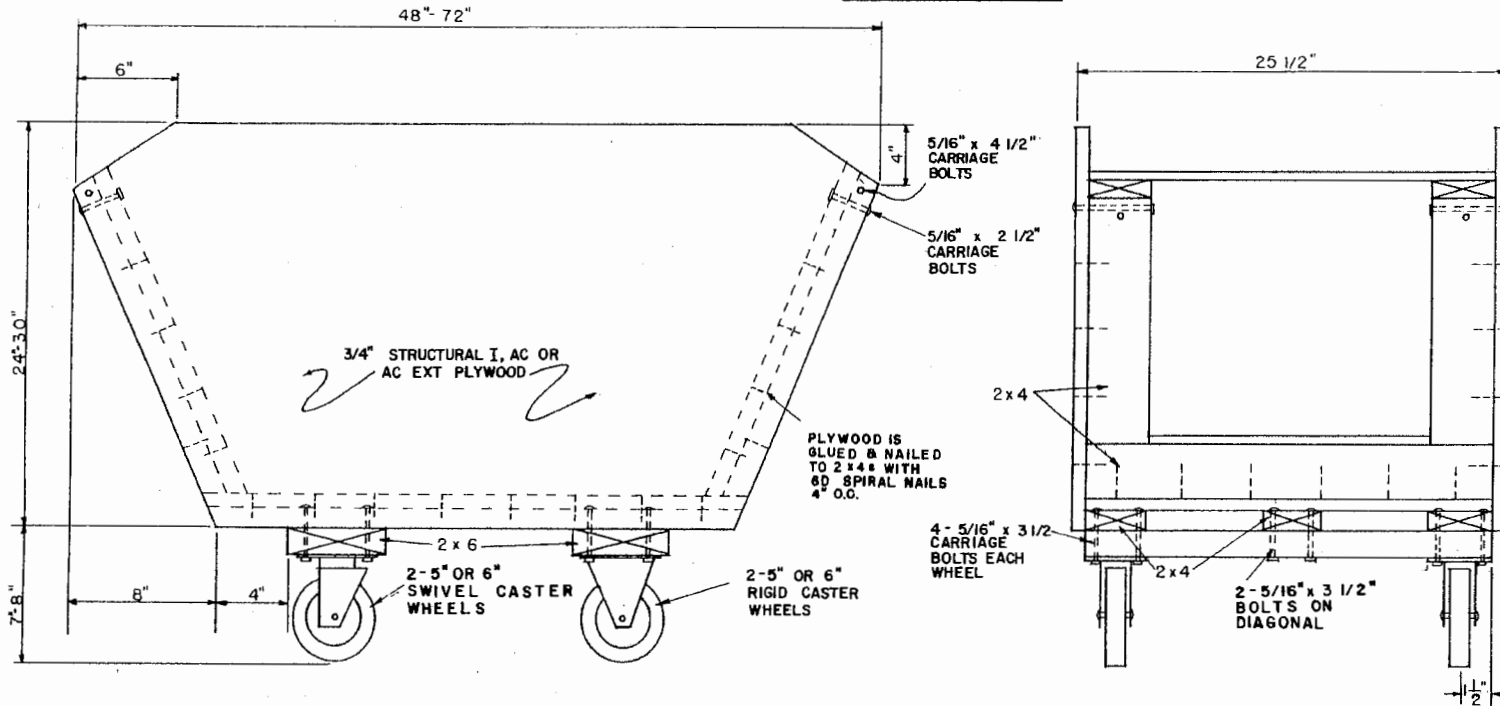


# FEED CART



SIDE VIEW

END VIEW

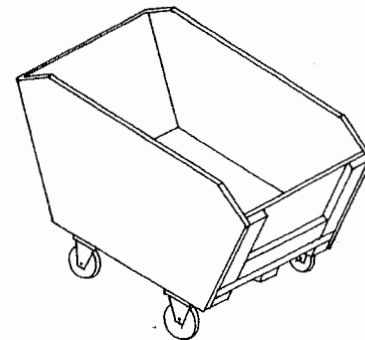
**BILL OF MATERIALS**

**LUMBER AND OTHER CONSTRUCTION MATERIALS:**

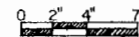
NUMBER OF PIECES	DIMENSION	GRADE AND KIND	USE
2 (48" CART)	3/4" x 4' x 8'	STRUCTURAL I, AC OR AC EXTERIOR	SIDES, ENDS, BOTTOMS
3 (72" CART)	" " " "	" " " "	" " " "
2 (48" CART)	2" x 4" x 10'	CONSTRUCTION OR NO.1 FIR	FRAMING
1 (72" CART)	2" x 4" x 12'	" " " "	"
1 (72" CART)	2" x 4" x 14'	" " " "	"
1	2" x 6" x 4'	" " " "	"

**FASTENERS AND OTHER HARDWARE**

AMOUNT	SIZE	ITEM
2	5" OR 6" DIAMETER, 400 LBS CAPACITY SWIVEL CASTER	WHEELS
2	5" OR 6" DIAMETER, 400 LBS CAPACITY RIGID CASTER	WHEELS
20	5/16" x 3-1/2" CARRIAGE, WITH WASHERS	BOLTS
4	5/16" x 4-1/2" " " " "	"
4	5/16" x 2-1/2" " " " "	"
1-1/2 LB	6d SPIRAL	NAILS
1/2 PT	RESORCINOL (WATERPROOF)	GLUE



**SCALE**



**FEED CART**

## Disclaimer

This site makes available conceptual plans that can be helpful in developing building layouts and selecting equipment for various agricultural applications. These plans do not necessarily represent the most current technology or construction codes. They are not construction plans and do not replace the need for competent design assistance in developing safe, legal and well-functioning agricultural building system. The LSU Agriculture Center, the Mid-West Plan Service, the United States Department of Agriculture and none of the cooperating land-grant universities warranty these plans.