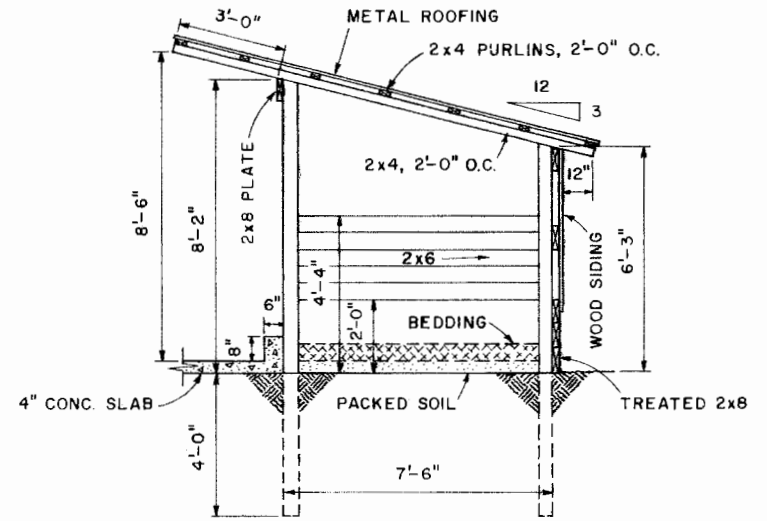
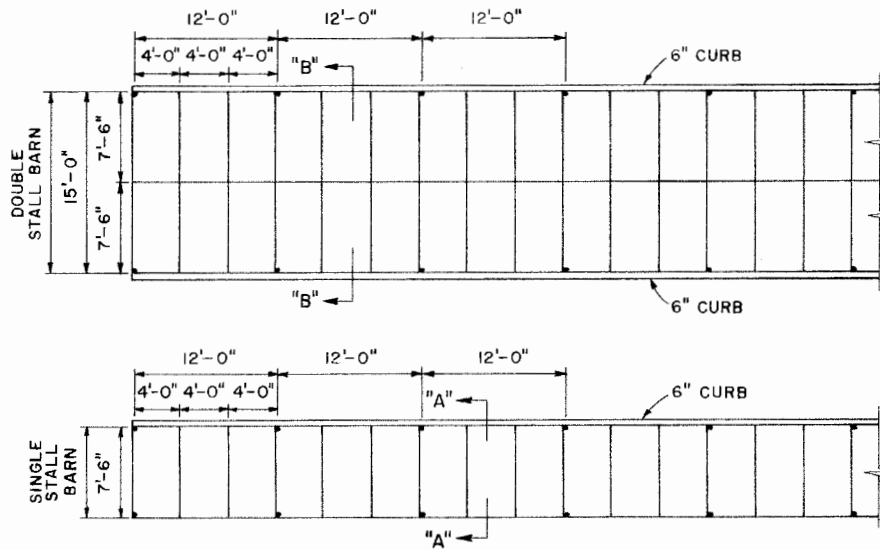


SECTION "B-B"  
DOUBLE STALL BARN

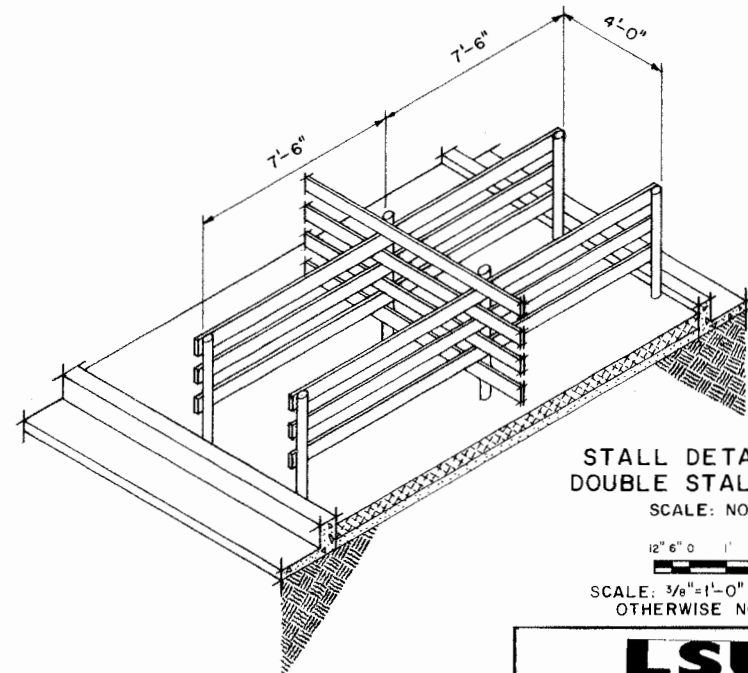


SECTION "A-A"  
SINGLE STALL BARN



PLAN-SINGLE AND DOUBLE STALL BARN

SCALE: 1/8" = 1'-0"  
12' 1' 3' 5' 7'  
0 2' 4' 6' 8'



STALL DETAIL FOR  
DOUBLE STALL BARN  
SCALE: NONE

12" 6" 0' 1' 2'  
SCALE: 3/8" = 1'-0" UNLESS  
OTHERWISE NOTED.

NOTE:  
CONSULT LOCAL HEALTH AND  
BUILDING CODE AUTHORITIES  
BEFORE STARTING CONSTRUCTION.

BASED ON: CLEMSON UNIV. PLAN NO. 80



REST BARNS FOR CATTLE

S.C. '75 6224 SHEET 1 OF 1

## Disclaimer

This site makes available conceptual plans that can be helpful in developing building layouts and selecting equipment for various agricultural applications. These plans do not necessarily represent the most current technology or construction codes. They are not construction plans and do not replace the need for competent design assistance in developing safe, legal and well-functioning agricultural building system. The LSU Agriculture Center, the Mid-West Plan Service, the United States Department of Agriculture and none of the cooperating land-grant universities warranty these plans.