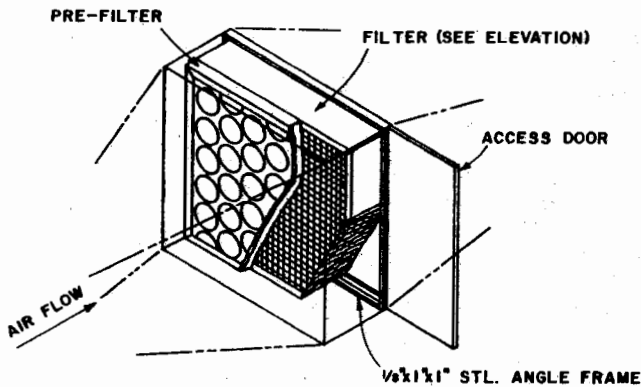


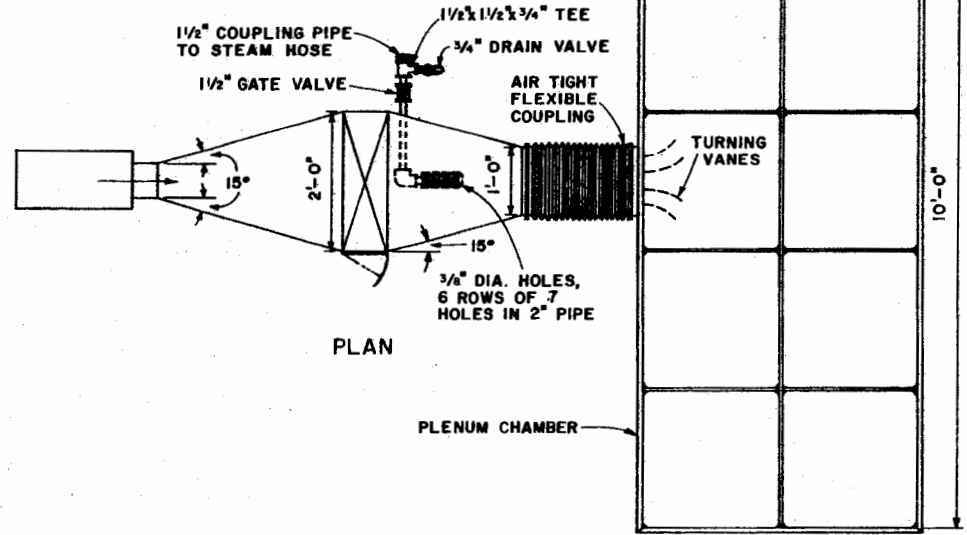
PARTIAL ISOMETRIC  
NO SCALE



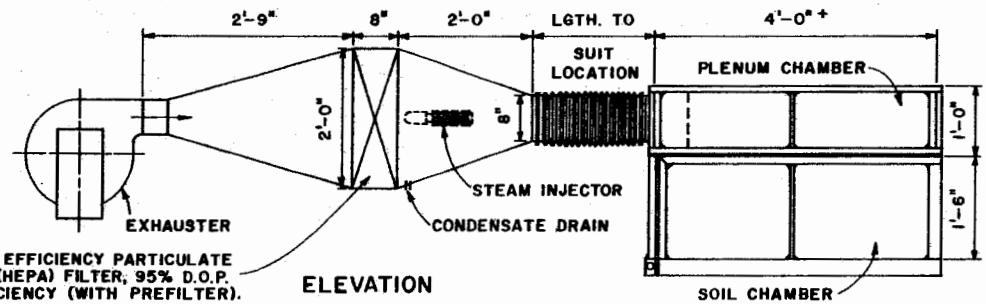
FILTER DETAIL  
SCALE: 1" = 1'-0"  
0 1 2 3 4

NOTE:  
CONSULT LOCAL HEALTH AND  
BUILDING CODE AUTHORITIES  
BEFORE STARTING CONSTRUCTION.

MENTION OF A TRADE NAME DOES NOT CONSTITUTE  
A GUARANTEE OR WARRANTY OF THE PRODUCT BY  
THE U.S. DEPARTMENT OF AGRICULTURE OR AN  
ENDORSEMENT BY THE DEPARTMENT OVER OTHER  
PRODUCTS NOT MENTIONED.



PLAN



ELEVATION

\* HIGH EFFICIENCY PARTICULATE  
AIR (HEPA) FILTER, 95% D.O.P.  
EFFICIENCY (WITH PREFILTER).

GUIDE TO BLOWER SELECTION

BLOWER		MATERIAL
CAPACITY (C.F.M.)	STATIC PRESSURE (IN. OF WATER)	
450	15	1:1:1 MIX SOIL: PEAT: PERLITE
800	15	1:1:1 MIX SOIL: PEAT
675	20	MINERAL SOIL.
700	10	SPHAGNUM MOSS PEAT.

\* FOR RESEARCH PURPOSES USE ABSOLUTE  
FILTER. MATCH FILTER & BLOWER CAPACITIES.

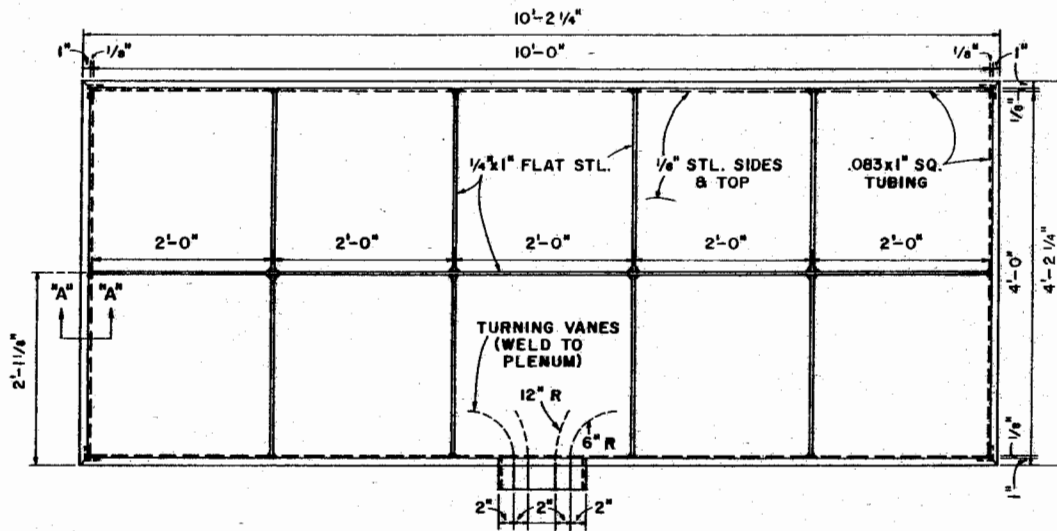
BASED ON: PENN. STATE  
UNIV. PLAN 822-372

12" 6" 0 1" 2"  
SCALE: 3/4" = 1'-0" UNLESS  
OTHERWISE NOTED

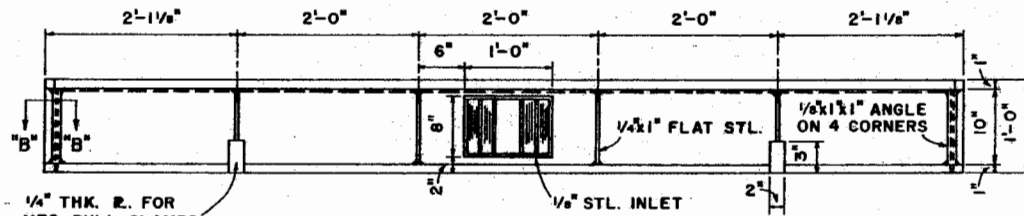


SOIL TREATING SYSTEM

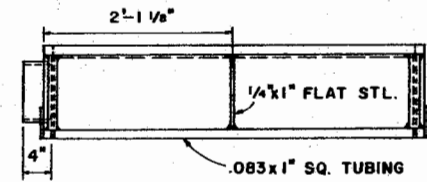
PA. '75 6198 SHEET 1 OF 3



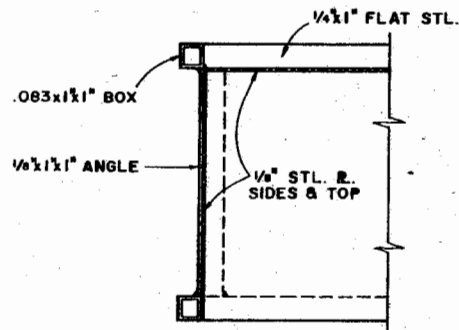
PLENUM CHAMBER  
PLAN



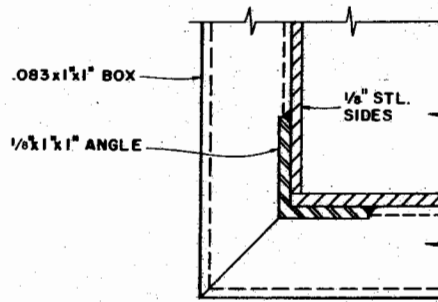
FRONT ELEVATION



SIDE ELEVATION



SECTION "A-A"  
SCALE: 3"=1'-0"  
6" 5" 4" 3" 2" 1" 0"



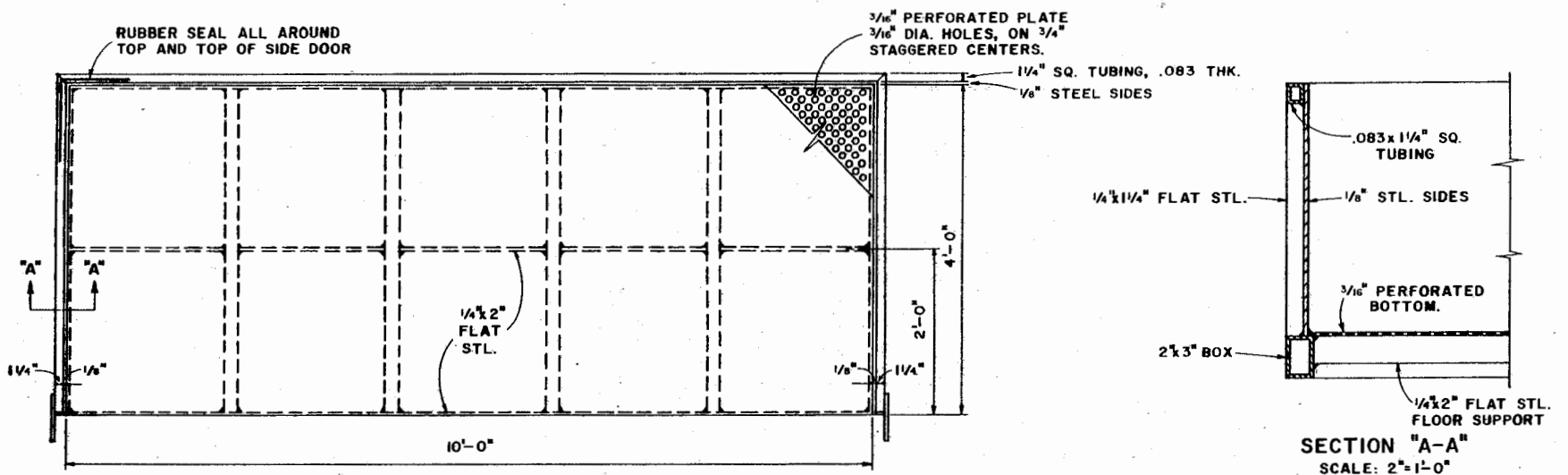
SECTION "B-B"  
SCALE: 1"=1'-0"  
1" 1/2" 0"

SCALE: 1"=1'-0" UNLESS  
OTHERWISE NOTED

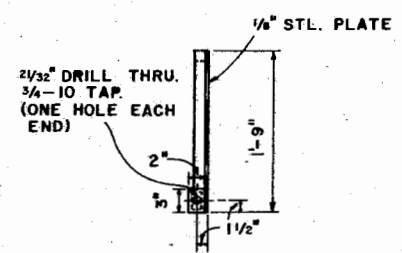
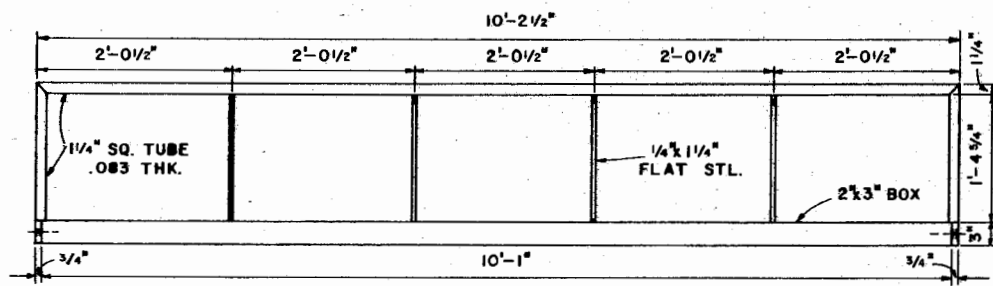
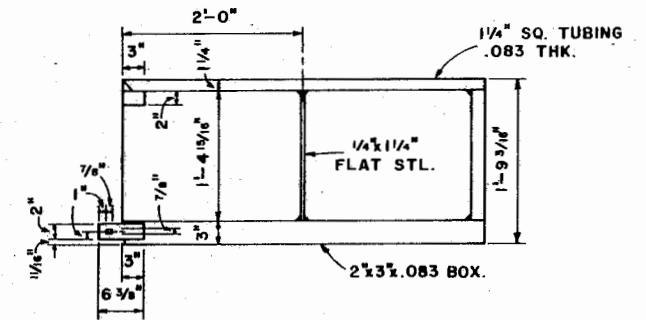
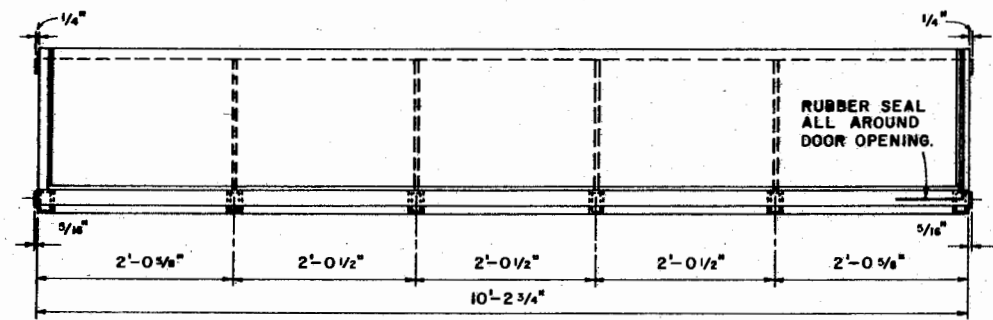


SOIL TREATING SYSTEM

PA. '75 6198 SHEET 2 OF 3



NOTE: MAKE INSIDE WELDS CONTINUOUS & AIR TIGHT.



12" 9" 6" 3" 0"

SCALE: 1" = 1'-0" UNLESS OTHERWISE NOTED.

**LSU**  
**AgCenter**  
 RESEARCH & EXTENSION

**SOIL TREATING SYSTEM**

PA. '75 **6198** SHEET 3 OF 3

## Disclaimer

This site makes available conceptual plans that can be helpful in developing building layouts and selecting equipment for various agricultural applications. These plans do not necessarily represent the most current technology or construction codes. They are not construction plans and do not replace the need for competent design assistance in developing safe, legal and well-functioning agricultural building system. The LSU Agriculture Center, the Mid-West Plan Service, the United States Department of Agriculture and none of the cooperating land-grant universities warranty these plans.