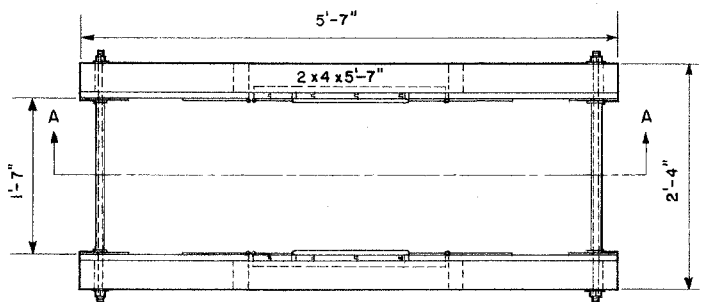
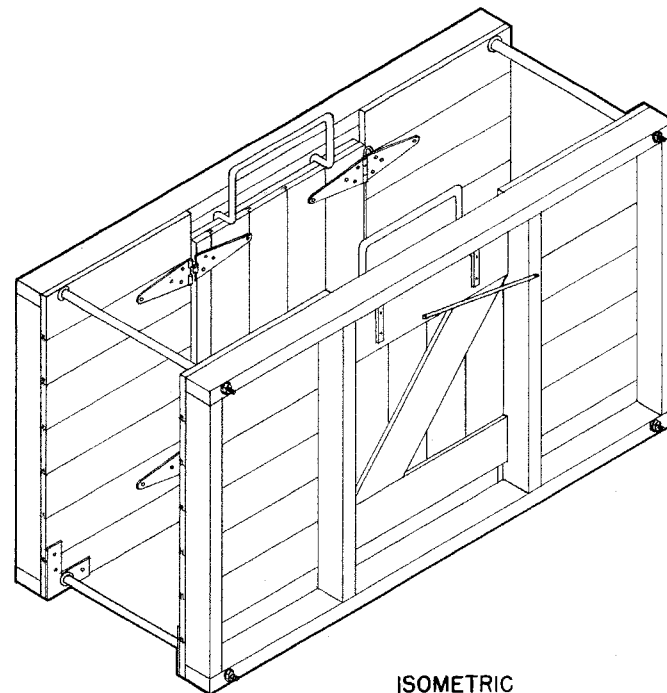


SECTION A-A



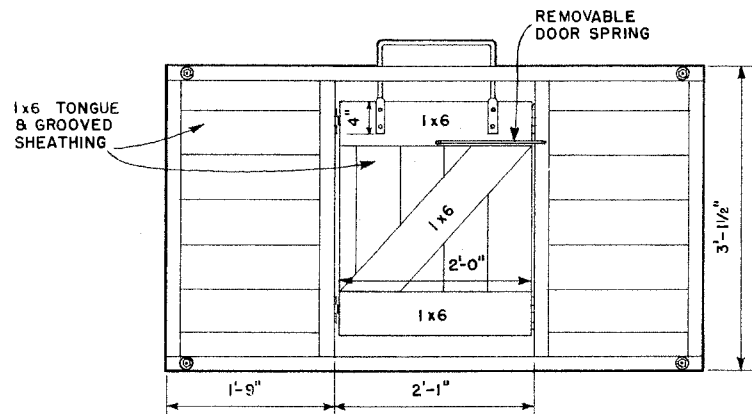
PLAN

3/8" Ø ROD 2'-7" LONG  
THREAD 2" ON EACH  
END. WITH TWO 3/4" STANDARD WASHERS.

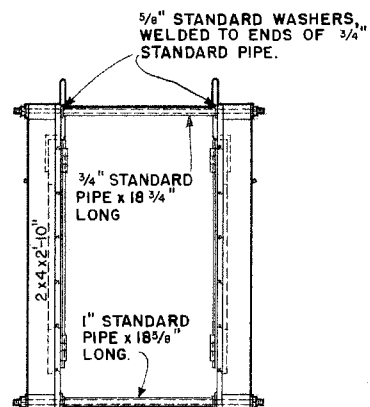


ISOMETRIC

SCALE: 1"=1'-0"



ELEVATION



END ELEVATION

NOTE: (FOR BOTH DOORS)  
DOOR SPRING AND HINGE PIN ROD  
CAN BE MOVED TO OTHER EDGE  
OF DOOR TO REVERSE DIRECTION



CUTTING GATES FOR SHEEP  
THREE-WAY

MONT. & ORE. '68 EX. 6058 SHEET 1 OF 1

## Disclaimer

This site makes available conceptual plans that can be helpful in developing building layouts and selecting equipment for various agricultural applications. These plans do not necessarily represent the most current technology or construction codes. They are not construction plans and do not replace the need for competent design assistance in developing safe, legal and well-functioning agricultural building system. The LSU Agriculture Center, the Mid-West Plan Service, the United States Department of Agriculture and none of the cooperating land-grant universities warranty these plans.