

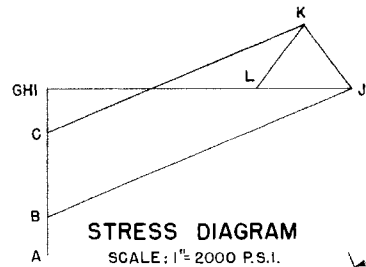
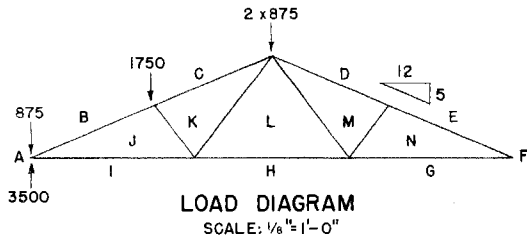
NOTE: ALL DIMENSIONS OF EXTERIOR POLES ARE CENTER TO CENTER UNLESS NOTED OTHERWISE.

UNIV. OF CONN. PLAN NO. 217A

LSU
AgCenter
Research & Extension

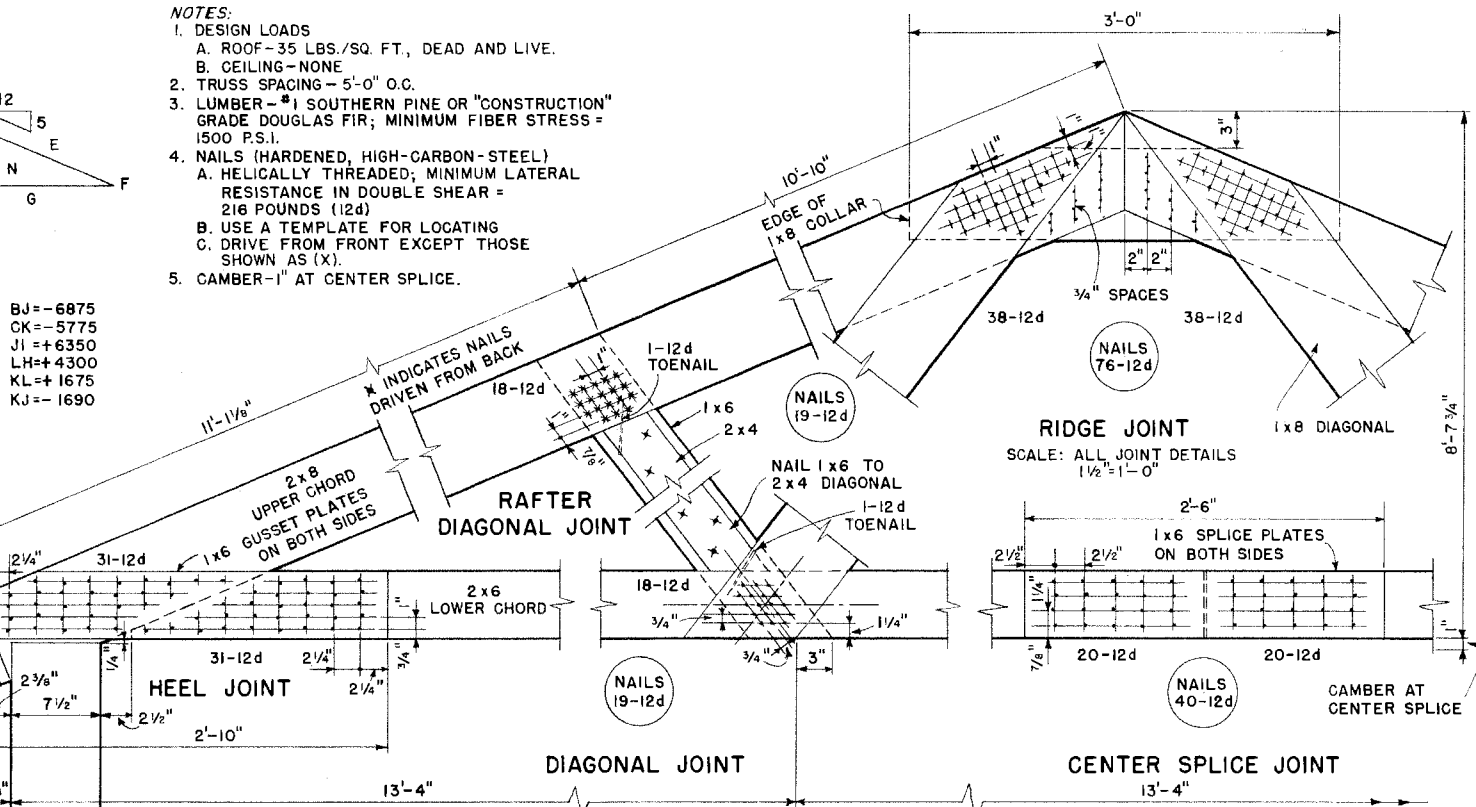
FREE-STALL BARN
50 COWS

CONN. '67	EX. 6039	SHEET 1 OF 2
-----------	----------	--------------



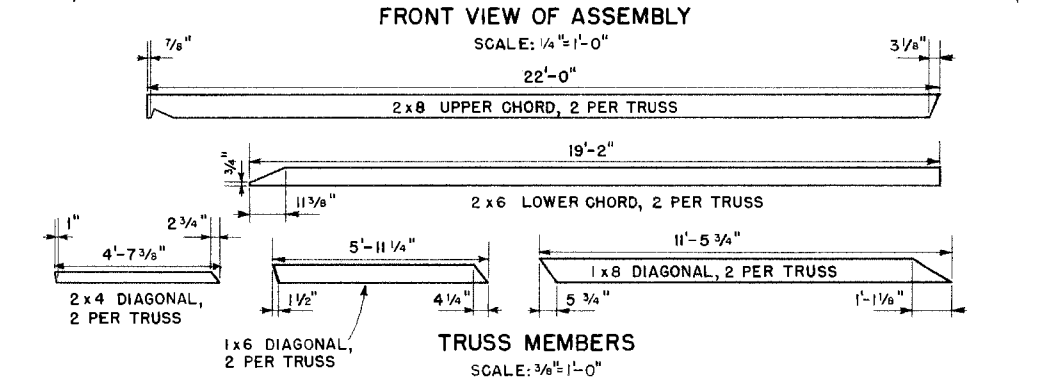
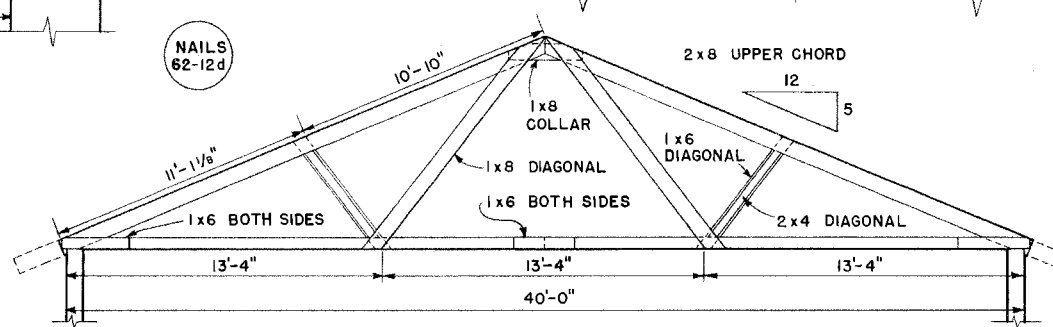
BJ = -6875
CK = -5775
JI = +6350
LH = +4300
KL = +1675
KJ = -1690

- NOTES:**
- DESIGN LOADS
 - ROOF - 35 LBS./SQ. FT., DEAD AND LIVE.
 - CEILING - NONE
 - TRUSS SPACING - 5'-0" O.C.
 - LUMBER - #1 SOUTHERN PINE OR "CONSTRUCTION" GRADE DOUGLAS FIR; MINIMUM FIBER STRESS = 1500 P.S.I.
 - NAILS (HARDENED, HIGH-CARBON-STEEL)
 - HELICALLY THREADED; MINIMUM LATERAL RESISTANCE IN DOUBLE SHEAR = 216 POUNDS (12d)
 - USE A TEMPLATE FOR LOCATING
 - DRIVE FROM FRONT EXCEPT THOSE SHOWN AS (X).
 - CAMBER - 1" AT CENTER SPLICE.



GENERAL NOTES

- LUMBER:**
- (P.T.) INDICATES PRESSURE TREATED MATERIAL.
 - NO. 1 SOUTHERN PINE OR DOUGLAS FIR (MIN. FIBER STRESS = 1500 P.S.I.) TO BE USED FOR TRUSSES, 2-2 x 8s GIRDER, AND 2 x 4 PURLINS.
- ROOFING:**
- STEEL OR ALUMINUM SHEET (NOT EMBOSSED) APPLIED AS PER MANUFACTURER'S SPECIFICATION
 - FASTEN TRUSSES (OVER POST) TO GIRDERS WITH STEEL STRAP OR COMMERCIAL ANCHORS. FASTEN TRUSSES BETWEEN POLES AS PER DETAIL AS SHOWN ON SHEET 1.
- NAILS:**
- ALL TO BE SCREW SHANK TYPE.



BILL OF MATERIALS FOR ONE TRUSS

DESCRIPTION	SIZE	PCS.	F.B.M.
UPPER CHORD	2 x 8 x 22'-0"	2	59
LOWER CHORD	2 x 6 x 20'-0"	2	40
DIAGONALS	2 x 4 x 10'-0"	1	7
DIAGONALS	1 x 8 x 12'-0"	2	16
COLLAR	1 x 8 x 3'-0"	1	2
DIAGONALS	1 x 6 x 6'-0"	2	6
GUSSETS	1 x 6 x 6'-0"	3	9
TOTAL BOARD FEET = 139			
NAILS	12d HELICALLY THREADED	216	3 LBS.

LSU AgCenter
Research & Extension

FREE-STALL BARN
50 COWS

CONN. '67 EX. 6039 SHEET 2 OF 2

Disclaimer

This site makes available conceptual plans that can be helpful in developing building layouts and selecting equipment for various agricultural applications. These plans do not necessarily represent the most current technology or construction codes. They are not construction plans and do not replace the need for competent design assistance in developing safe, legal and well-functioning agricultural building system. The LSU Agriculture Center, the Mid-West Plan Service, the United States Department of Agriculture and none of the cooperating land-grant universities warranty these plans.