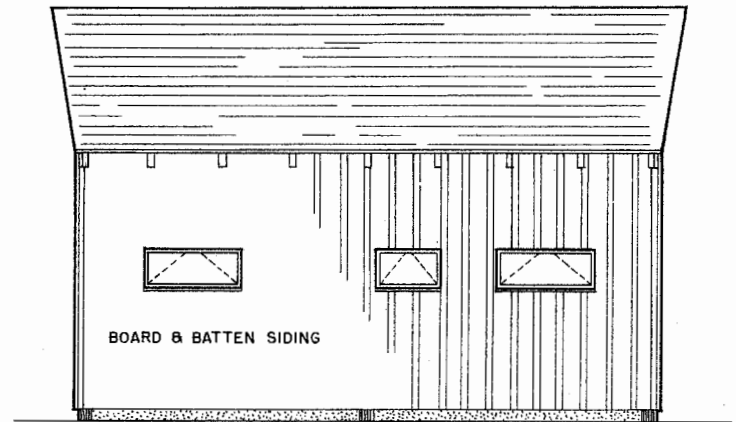
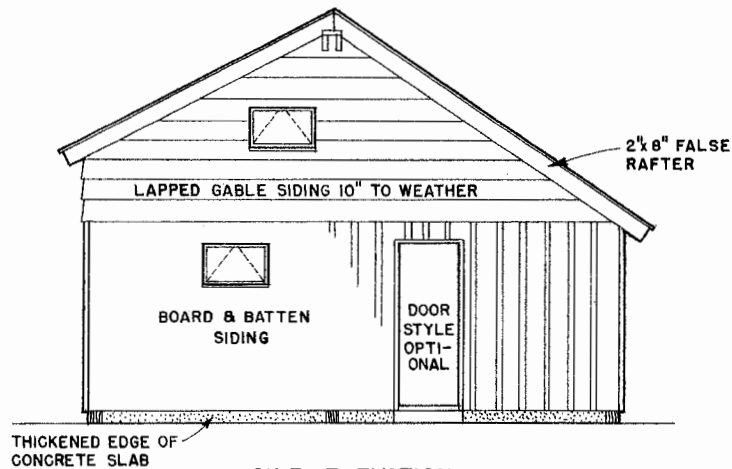


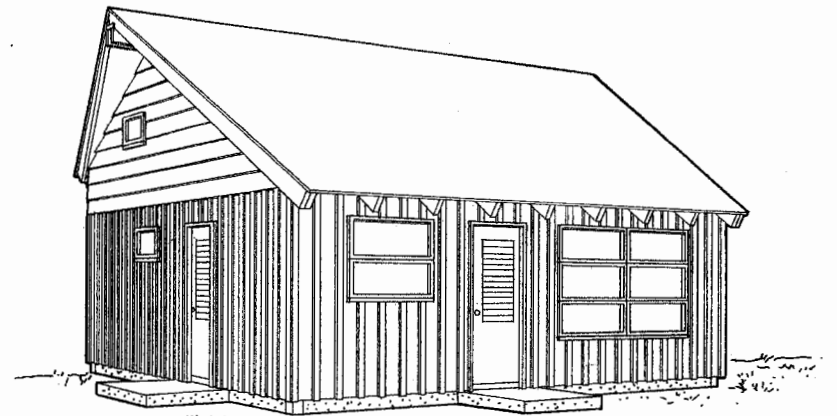
FRONT ELEVATION
SCALE 1/4"=1'-0"



REAR ELEVATION
SCALE 1/4"=1'-0"



SIDE ELEVATION
SCALE 1/4"=1'-0"



PERSPECTIVE



DORMITORY LOFT CABIN

MASS. '67 EX. 6013 SHEET 1 OF 3

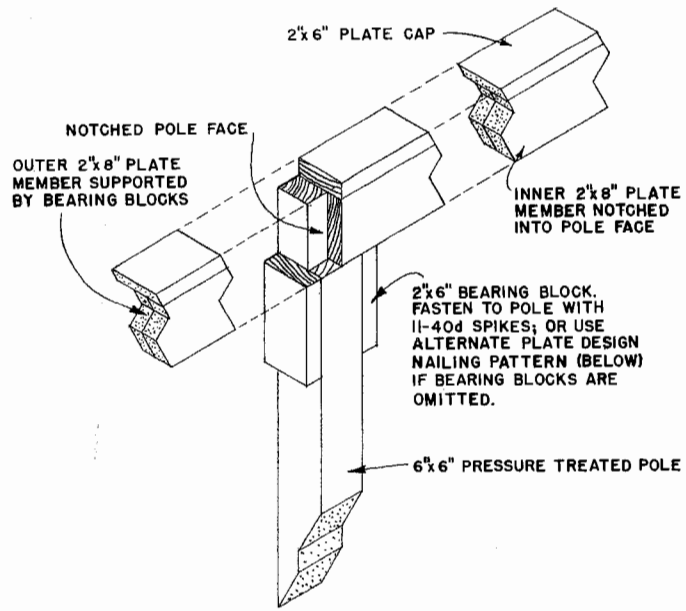
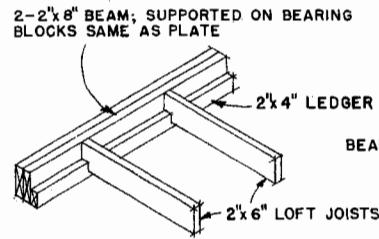
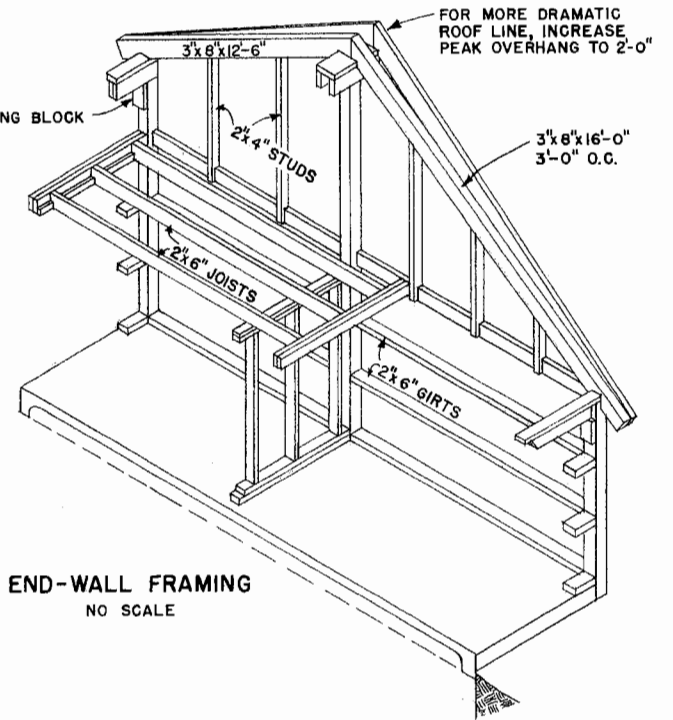


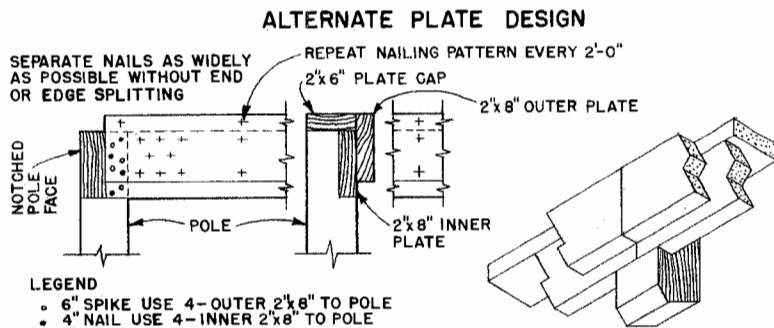
PLATE POLE DETAIL
NO SCALE



JOIST SUPPORT DETAIL
NO SCALE



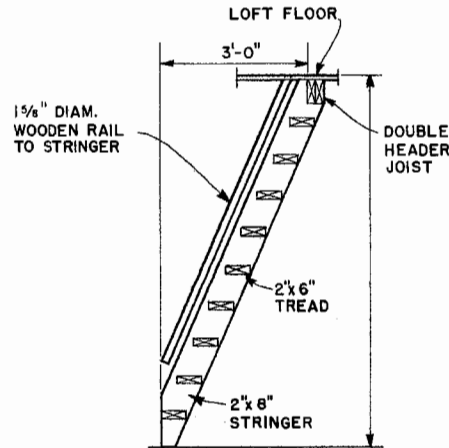
END-WALL FRAMING
NO SCALE



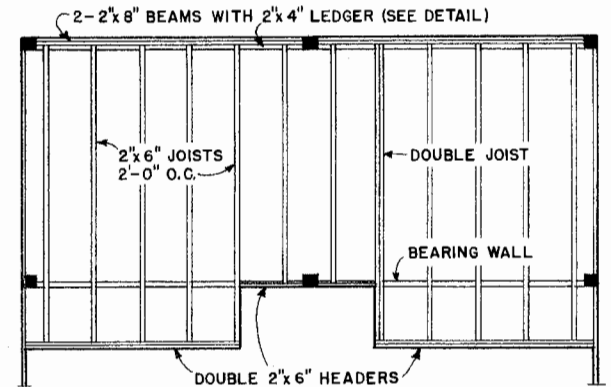
- LEGEND**
- 6" SPIKE USE 4- OUTER 2x8" TO POLE
 - 4" NAIL USE 4- INNER 2x8" TO POLE
 - + 4" NAIL USE NUMBERS AS SHOWN

PLATE NAILING DETAIL
NO SCALE

PLATE POLE DETAIL
NO SCALE



SHIPS LADDER
SCALE 1/2"=1'-0"



LOFT FRAMING PLAN
SCALE 1/4"=1'-0"

CONSTRUCTION NOTES

1. THIS DESIGN IS BASED ON ROUGH-SAWN EASTERN HEMLOCK.
2. DESIGN ROOF LOAD - 40 LBS. PER. SQ. FT.
3. DESIGN FLOOR LOAD (WOOD FRAME) 35 LBS. PER. SQ. FT.
4. CONCRETE SLAB FLOOR HAS THICKENED EDGE 12" DEEP, 8" WIDE ALONG BOTTOM EDGE; CONCRETE MIX: 3/4" MAXIMUM AGGREGATE SIZE, 6 1/2 SACKS OF CEMENT PER CUBIC YARD, AND 6 GAL. WATER CEMENT RATIO.
5. FOR CONCRETE SLABS ON OTHER THAN WELL DRAINED SOIL, WELL COMPACTED, USE 6"x6"-NO. 10 WIRE REINFORCING MESH.
6. SPECIFIED POLE LENGTHS ARE FOR CONCRETE SLAB DESIGN ONLY. LONGER POLES ARE REQUIRED FOR WOOD FRAME FLOOR DESIGN; LENGTH OF POLE IS DEPENDENT ON SLOPE OF BUILDING SITE AND SETTING POLE IN GROUND TO MAX. DEPTH OR FIRM FOOTING.
7. CONVENTIONAL STUD FRAME CONSTRUCTION ON MASONRY FOUNDATION MAY BE SUBSTITUTED FOR POLE FRAME IF DESIRED.
8. INTERIOR AND EXTERIOR FINISH IS LEFT TO BUILDER'S DISCRETION, NO ATTEMPT WAS MADE TO PROVIDE MODULAR INTERIOR DIMENSIONS; SLIGHT CHANGES IN GIRT SPACING MAY BE DESIREABLE IF INTERIOR FINISHING IS DESIRED.



DORMITORY LOFT CABIN

MASS. '67 EX. 6013 SHEET 3 OF 3

Disclaimer

This site makes available conceptual plans that can be helpful in developing building layouts and selecting equipment for various agricultural applications. These plans do not necessarily represent the most current technology or construction codes. They are not construction plans and do not replace the need for competent design assistance in developing safe, legal and well-functioning agricultural building system. The LSU Agriculture Center, the Mid-West Plan Service, the United States Department of Agriculture and none of the cooperating land-grant universities warranty these plans.