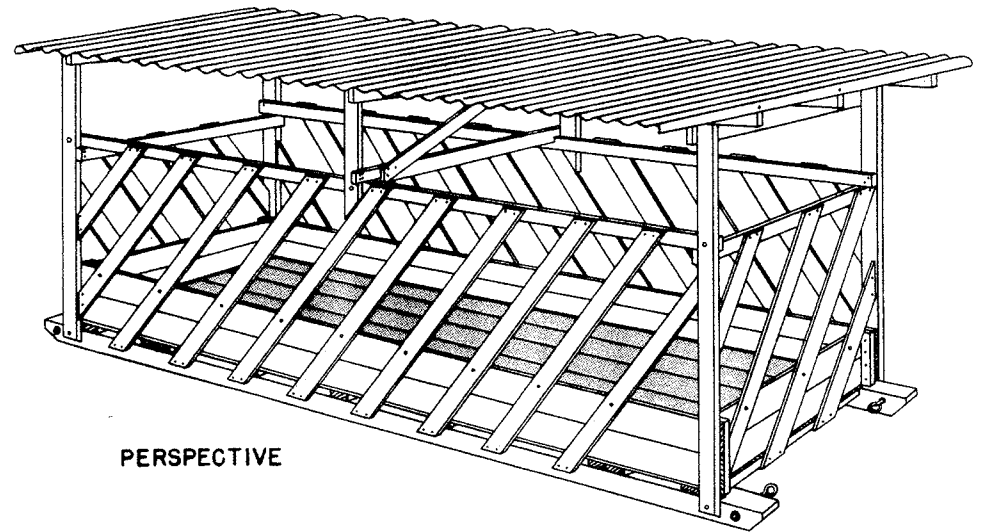
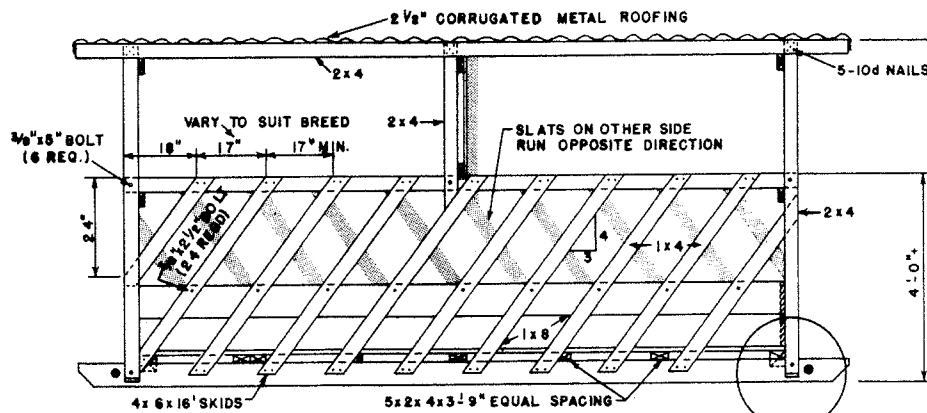


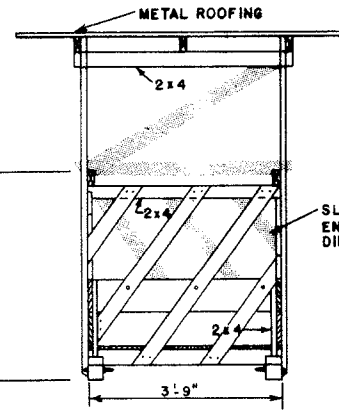
ROOF  
FLOOR  
FRAME  
PLAN



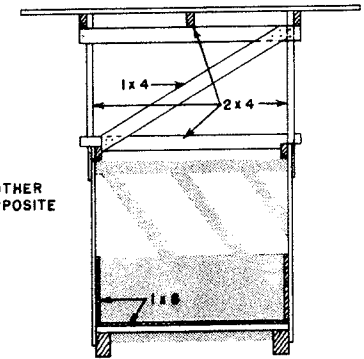
PERSPECTIVE



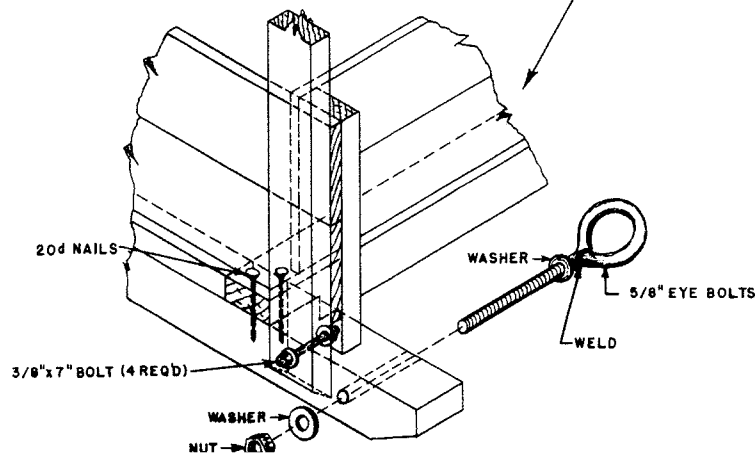
SIDE VIEW



END VIEW



CROSS SECTION



**NOTES.**

ALL LUMBER IN CONTACT WITH OR WITHIN 12" OF GROUND SHOULD BE PRESSURE TREATED.

SOME PRESSURE TREATED POSTS & LUMBER USE PRESERVATIVES THAT EPA DOES NOT ALLOW IN CONTACT WITH FEED. IN SUCH CASES, PLYWOOD OR PLASTIC SHOULD BE USED AS A LINER. CHECK SUPPLIER OR LABELS FOR GUIDANCE.

NAILS AND BOLTS SHOULD BE GALVANIZED

8d NAILS USED FOR SLATS SIDES AND FLOOR

**MATERIAL LIST**

- 13- 1 1/2 x 4 x 10' SLATS AND BRACES
- 1- 4 1/2 x 18' SPREADERS
- 2- 4 1/2 x 16' SKIDS
- 11- 1 1/2 x 14' BUNK
- 4- 2 x 4 x 16'
- 5- 2 x 4 x 14'
- 3- 2 x 4 x 8'

**HARDWARE:**

- 8- SHEETS 2 1/2" CORRUGATED METAL - 7' LONG
- ROOFING NAILS
- 8d - 5 LB.
- 10d - 1 LB.
- 20d - 1 LB.
- 24- 3/8" x 2 1/2" BOLTS.
- 4- 3/8" x 7" BOLTS.
- 6- 3/8" x 5" BOLTS.
- 4- EYE BOLTS 5/8"

**LSU**  
**AgCenter**  
Research & Extension

**CATTLE FEEDING RACK**  
FOR HAY & SILAGE

USDA '61 EX. 5925 SHEET 1 OF 1

REVISED '88

## Disclaimer

This site makes available conceptual plans that can be helpful in developing building layouts and selecting equipment for various agricultural applications. These plans do not necessarily represent the most current technology or construction codes. They are not construction plans and do not replace the need for competent design assistance in developing safe, legal and well-functioning agricultural building system. The LSU Agriculture Center, the Mid-West Plan Service, the United States Department of Agriculture and none of the cooperating land-grant universities warranty these plans.