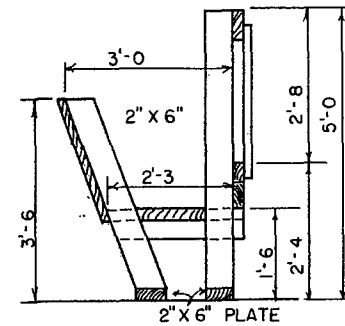


DETAILS OF FEEDING RACK
(USING 4" POSTS FOR SUPPORT)

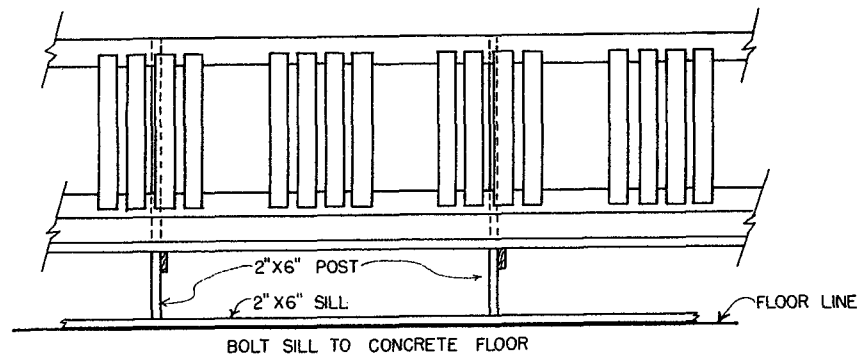
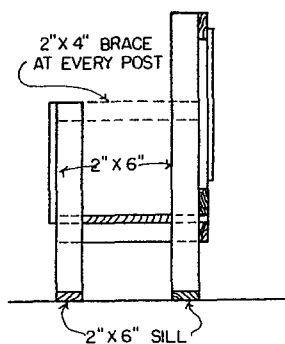


ALTERNATE SECTION

THIS RACK MAY BE USED FOR BOTH HAY AND SILAGE. IN FEEDING SILAGE IT IS NECESSARY THAT A FEED ALLEY BE PROVIDED.

NOTE:

FOR SMALL ANIMALS THE OPENINGS SHOULD ONLY BE ABOUT 2'-0" FROM THE FLOOR AND THEY MAY BE SPACED 2'-6" CENTER TO CENTER INSTEAD OF 3'-0" AS SHOWN.



DETAILS OF FEEDING RACK FOR CONCRETE FLOOR
(DIMENSIONS SAME AS ABOVE)

LSU Ag Center <small>RESEARCH & EXTENSION</small>	
CATTLE FEEDING RACK	
ENGINEER (VIRGINIA)	SCALE NONE
DRAWN BY	SHEET 1 OF 1
TRACED IN 1963	DATE 1953 NO. 5767

RETRACED IN 5-90 BY: JA HAYES

Disclaimer

This site makes available conceptual plans that can be helpful in developing building layouts and selecting equipment for various agricultural applications. These plans do not necessarily represent the most current technology or construction codes. They are not construction plans and do not replace the need for competent design assistance in developing safe, legal and well-functioning agricultural building system. The LSU Agriculture Center, the Mid-West Plan Service, the United States Department of Agriculture and none of the cooperating land-grant universities warranty these plans.