

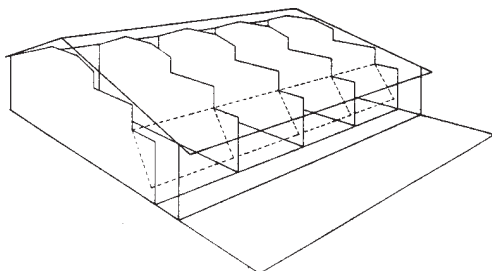
MWPS-74402

40' x 48' Bulk Fertilizer Storage, Post Frame

Four 12' x 36' bins are lined with 2x6s and plywood for bulk fertilizer storage and handling. Steel tie rods brace walls. Sliding access doors. Roof loading hatch. Capacity is 400-600 ton.

WARRANTY DISCLAIMER

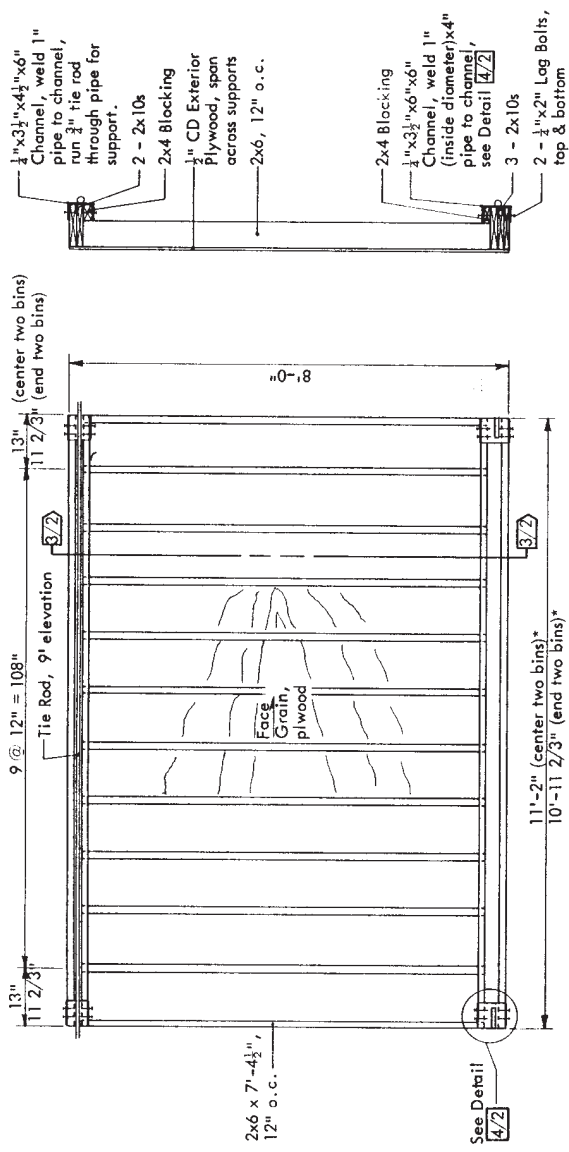
This plan provides conceptual information only. **Neither MidWest Plan Service nor any of the cooperating land grant universities, or their respective agents or employees, have made, and do not hereby make, any representation, warranty or covenant with respect to the specifications in this plan.** Additional professional services will be required to tailor this plan to your situation, including but not limited to: assurance of compliance with codes and regulations; review of specifications for materials and equipment; supervision of site selection, bid letting and construction; and provision for utilities, waste management, roads or other access.



MIDWEST PLAN SERVICE
Cooperative Extension Work in Agriculture and Home Economics and Agricultural Experiment Stations of North Central Region - USDA Cooperating
BULK FERTILIZER STORAGE
Title Page
MIDWEST PLAN NO. 74402

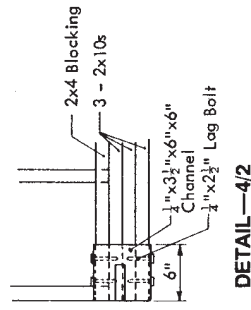
CAUTION!

Additional professional services will be required to tailor this plan to your situation, including but not limited to: assurance of compliance with codes and regulations; review of specifications for materials and equipment; supervision of site selection, bid letting and construction; and provision for utilities, waste management, roads or other access. **Furthermore, any deviation from the given specifications may result in structural failure, property damage, and personal injury including loss of life.**

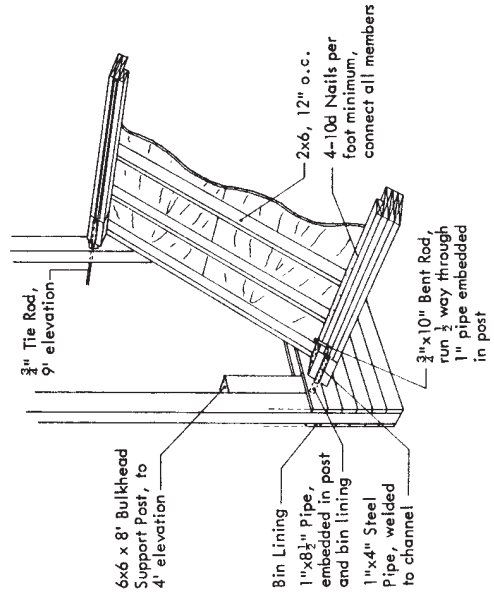


BULKHEAD CROSS SECTION—3/2

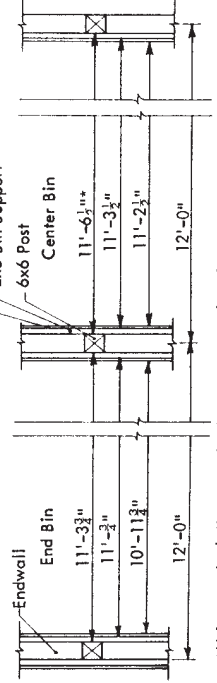
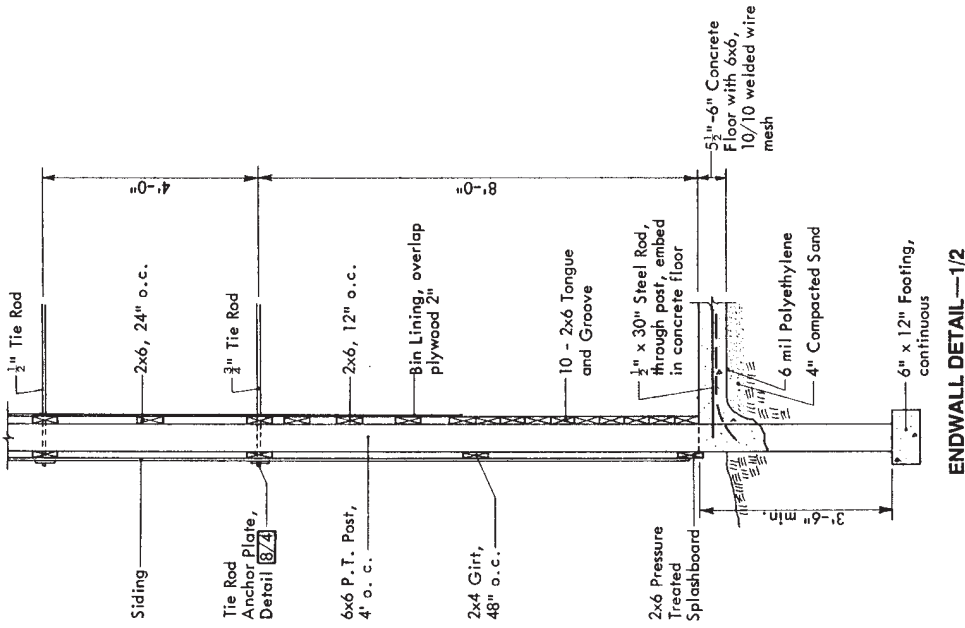
BULKHEAD DETAIL—2/2



DETAIL—4/2

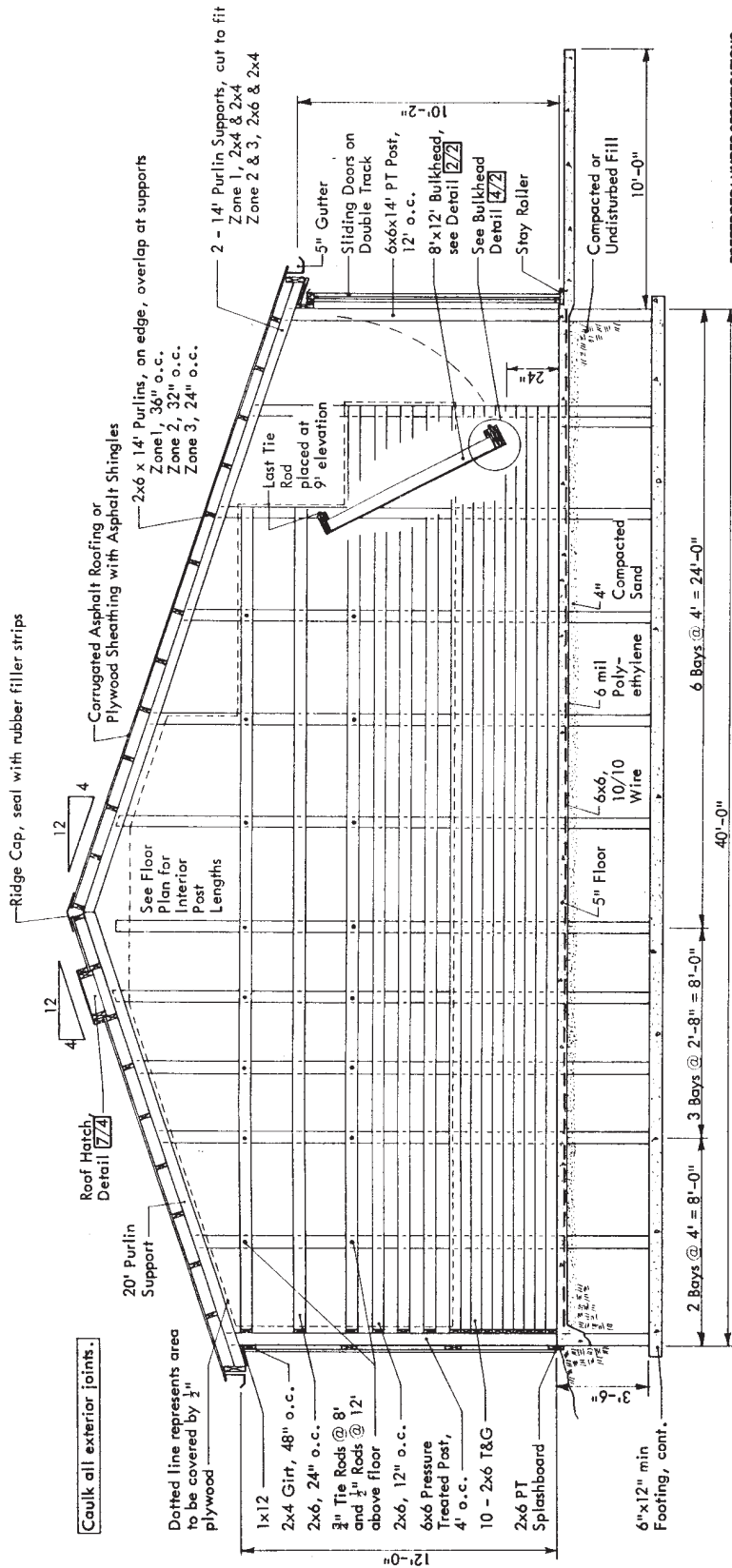


BIN BULKHEAD DETAIL—6/2



BIN CLEARANCE DETAIL—5/2

MIDS MIDWEST PLAN SERVICE	
Bulk Fertilizer Storage Building	
Post Frame	500-600 Ton Capacity
Plan No.	74402
Rev	mwps- 2 of 4
Copyright © 1979 Midwest Plan Service, Ames, IA 50011	



CROSS SECTION—1/3

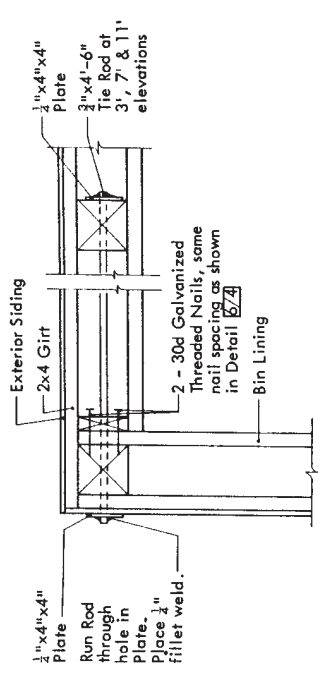
Siding Options:
 Exterior Plywood, stained or MDO Plywood, painted, caulk or batten all joints or non-corrosive siding such as corrugated asphalt, see mfgs specifications for application details

LIST OF MATERIALS

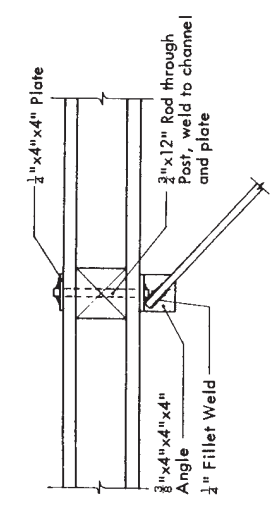
Quantity	Description	2100 ft ²	1800 ft ²	Roofing Material	Steel
5	6x6 x 14' Pressure Treated Posts	40	26 x 12' Tongue & Groove, P.T.	1/4" x 5" x 5" Plates	80
18	6x6 x 16' Pressure Treated Posts	80	26 x 16' Tongue & Groove, P.T.	1/4" x 4" x 4" Plates	52
20	6x6 x 18' Pressure Treated Posts	80	26 x 8' Tongue & Groove, P.T.	3/4" x 4" x 4" Angles	16
25	6x6 x 20' Pressure Treated Posts	80	26 x 12' Tongue & Groove, P.T.	3/4" dia x 25' Tie Rods	18
	Purlins	80	26 x 12' Tongue & Groove, P.T.	3/4" dia x 25' Tie Rods	18
Zone 1		108	4 x 8' — 1/2" Plywood	3/4" dia x 9' Tie Rods	11
Zone 2		104	26 x 12'	3/4" dia x 9' Tie Rods	8
Zone 3		64	26 x 16'	3/4" dia x 30' Anchor Rods	33
Purlin Supports		48	Bulkheads (4)	6x6, 10/10 Welded Wire Fabric	2000 ft ²
Zone 1		20	2x10 x 12'	6 mil Polyethylene	4
Zone 2		12	4 x 8' — 1/2" Plywood	5' Gutter	96 ft
Zone 3		8	2x4 x 12'	2 x 8 White Fiberglass in Sliding Doors	4
Zone 1		8	1/4" x 3/2" x 6' x 6' Channels	3' 6" x 6' 9" Walk Door	1
Zone 2		4	1/4" x 3/2" x 4 1/2' x 6' Channels	Air-Entrained Concrete	42 yds
Zone 3		64	1/4" x 2" Steel Pipe	Sand and Gravel Fill as Required	
10	2x4 x 14'		3/4" x 10' Bent Anchor Rods	Nails	
10	2x6 x 14'				
5	2x4 x 20'				
5	2x6 x 20'				

PREFERRED LUMBER SPECIFICATIONS
ROOF PURLINS
 2x6 No. 2 (Doug Fir or Southern Pine)
WALL GIRTS
 2x4 No. 2 (Doug Fir or Southern Pine)
 Max. Spacing 48" o.c.
HEADERS, TOP GIRTS
 No. 1 or #3001 machine rated (Doug Fir or Southern Pine)
PLYWOOD
 5/8" minimum
 32/16" or 1/2" A-C Ext. Group 1. Span face grain across supports.
Roof Sheathing
 C-2 Exterior, unspanned
 Zone 1, 32/16" (1/2" or 5/8")
 Zone 2, 24/0 (7/8" or 1 1/2")
 Zone 3, 24/0 (7/8" or 1 1/2")
 Span face grain across supports.
 Identification index—indicates strength
POSTS and SPLASHBOARDS
 Pressure Preservative Treated (Southern Pine or equivalent)
 Creosote-10 pcf. Pentac-0.50 pcf. ACA or CCA. (Type A or B)-0.50 pcf retention.

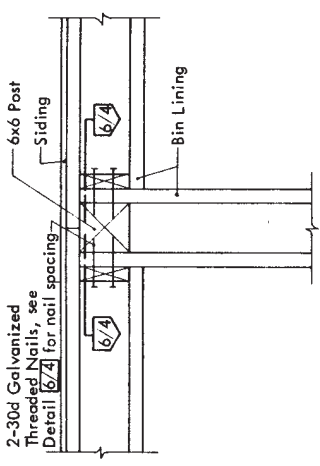
MIDWEST PLAN SERVICE
 Bulk Fertilizer Storage Building
 Post Frame
 500-600 Ton Capacity
 Plan No. **74402**
 Rev. **3** of **4**
 Page **3** of **4**
 Copyright © 1979 Midwest Plan Service, Ames, IA 50011



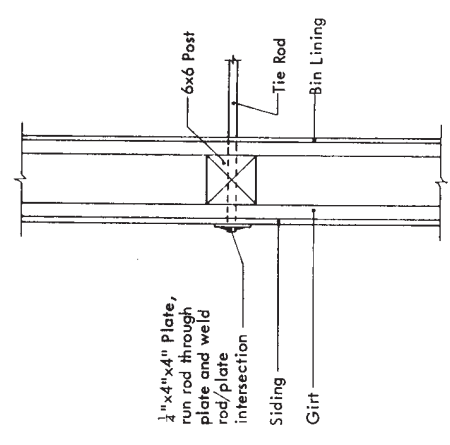
CORNER DETAIL—1/4



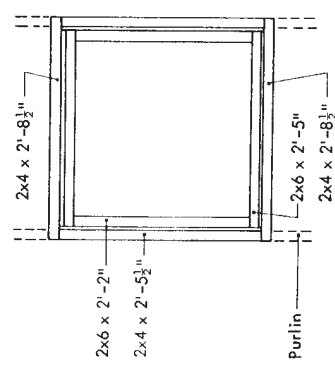
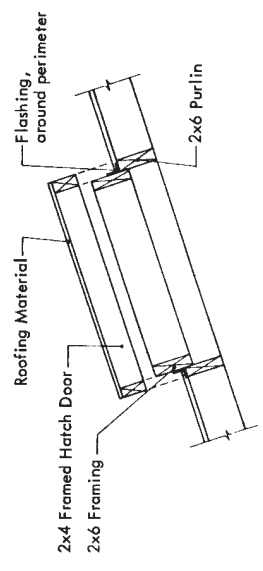
BACKWALL TIE ROD DETAIL—2/4



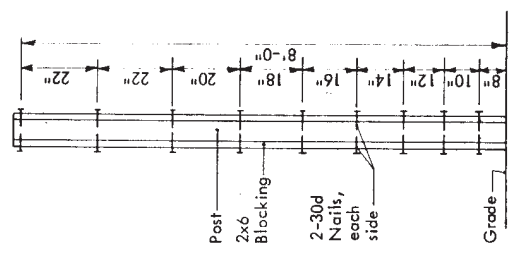
BACKWALL/BINWALL INTERSECTION—3/4



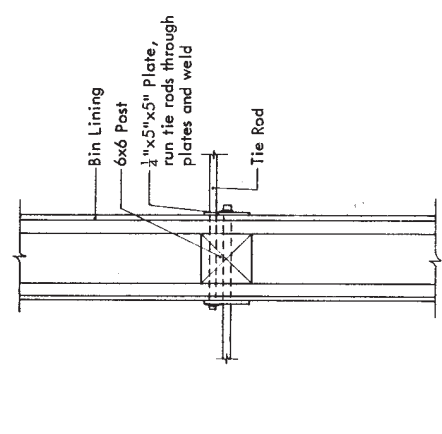
ENDWALL TIE ROD DETAIL—8/4



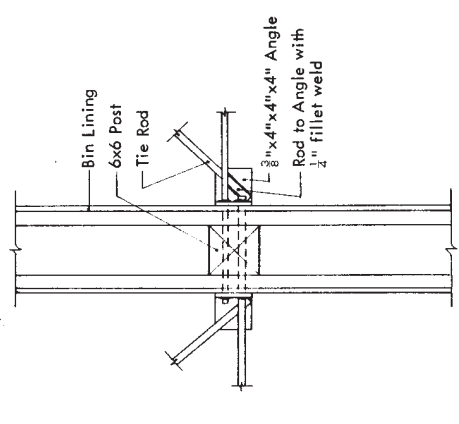
ROOF HATCH DETAIL—7/4



NAILING PATTERN—6/4



INTERIOR BINWALL DETAIL—4/4



INTERIOR BINWALL DETAIL—5/4