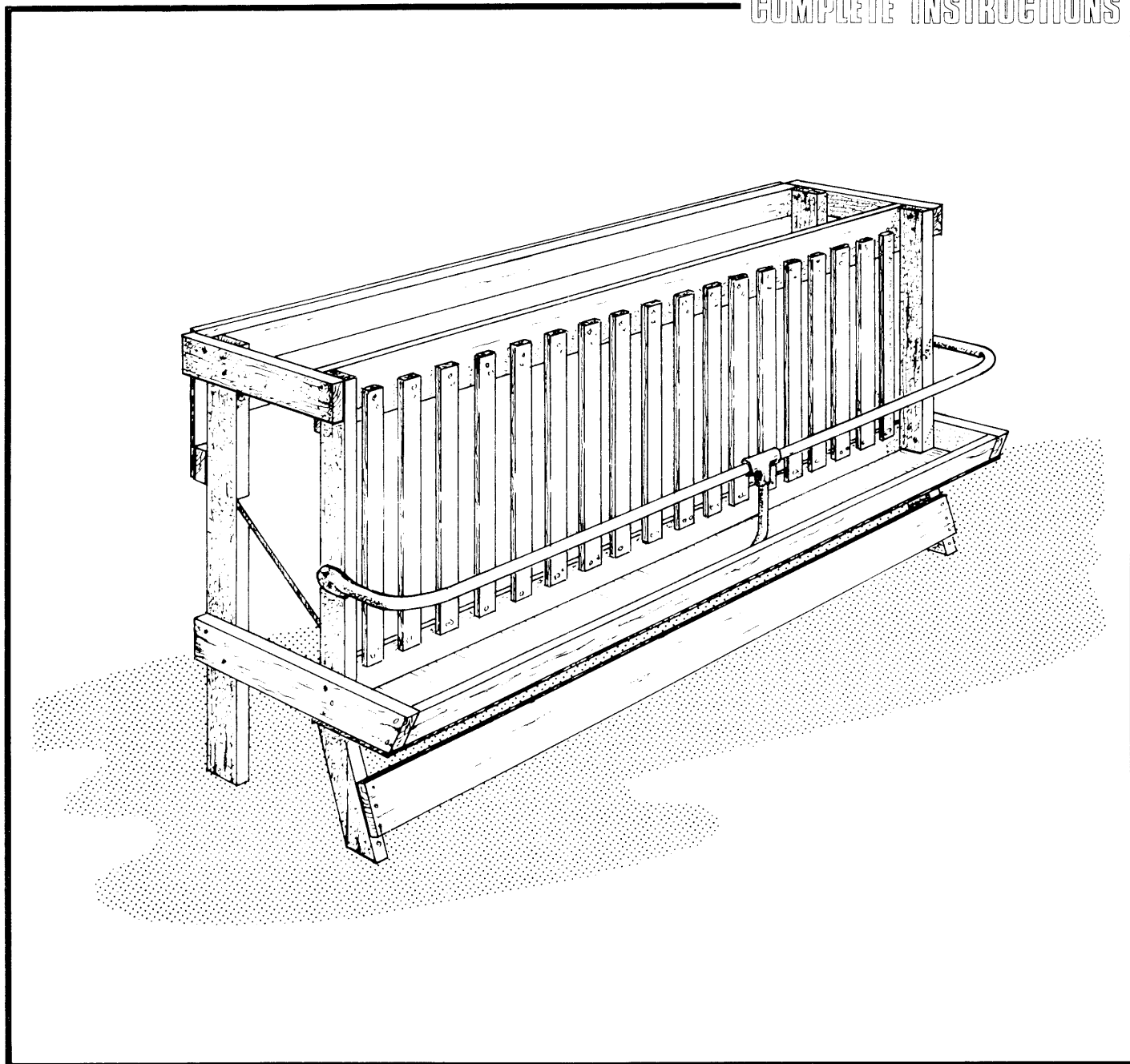


## HAY AND GRAIN FEEDER FOR SHEEP

COMPLETE INSTRUCTIONS



The Canada Plan Service prepares detailed plans showing how to construct modern farm buildings, livestock housing systems, storages and equipment for Canadian Agriculture.

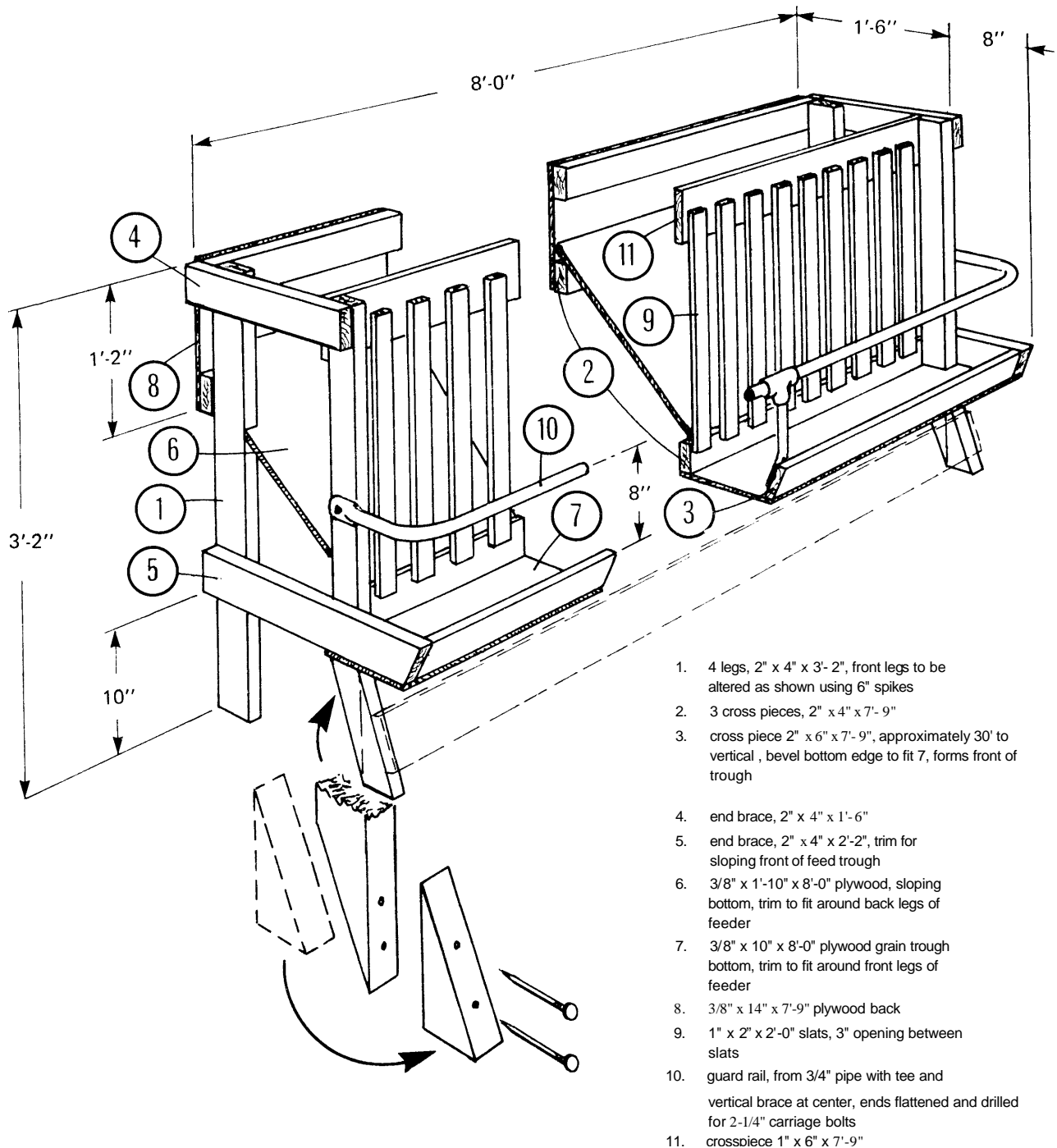
This leaflet gives the details for a farm building component or piece of farmstead equipment. To obtain another copy of this leaflet, contact your local provincial agricultural engineer or extension advisor.

## HAY AND GRAIN FEEDER FOR SHEEP

PLAN 4621 NEW 84:07

This feeder is assembled in 8 ft sections. The main feature of this feeder is the extended portion of the feed bunkfloor; it is intended to catch loose particles of hay and provide an area to feed grain to the flock. Each 8 ft section has a capacity to feed 6 to 8 ewes at one time, or up to 16 ewes if self-fed continuously.

Two rows of feeders may be set up to provide pen partitions and a walkway to distribute the feed.



1. 4 legs, 2" x 4" x 3'-2", front legs to be altered as shown using 6" spikes
2. 3 cross pieces, 2" x 4" x 7'-9"
3. cross piece 2" x 6" x 7'-9", approximately 30° to vertical, bevel bottom edge to fit 7, forms front of trough
4. end brace, 2" x 4" x 1'-6"
5. end brace, 2" x 4" x 2'-2", trim for sloping front of feed trough
6. 3/8" x 1'-10" x 8'-0" plywood, sloping bottom, trim to fit around back legs of feeder
7. 3/8" x 10" x 8'-0" plywood grain trough bottom, trim to fit around front legs of feeder
8. 3/8" x 14" x 7'-9" plywood back
9. 1" x 2" x 2'-0" slats, 3" opening between slats
10. guard rail, from 3/4" pipe with tee and vertical brace at center, ends flattened and drilled for 2-1/4" carriage bolts
11. crosspiece 1" x 6" x 7'-9"