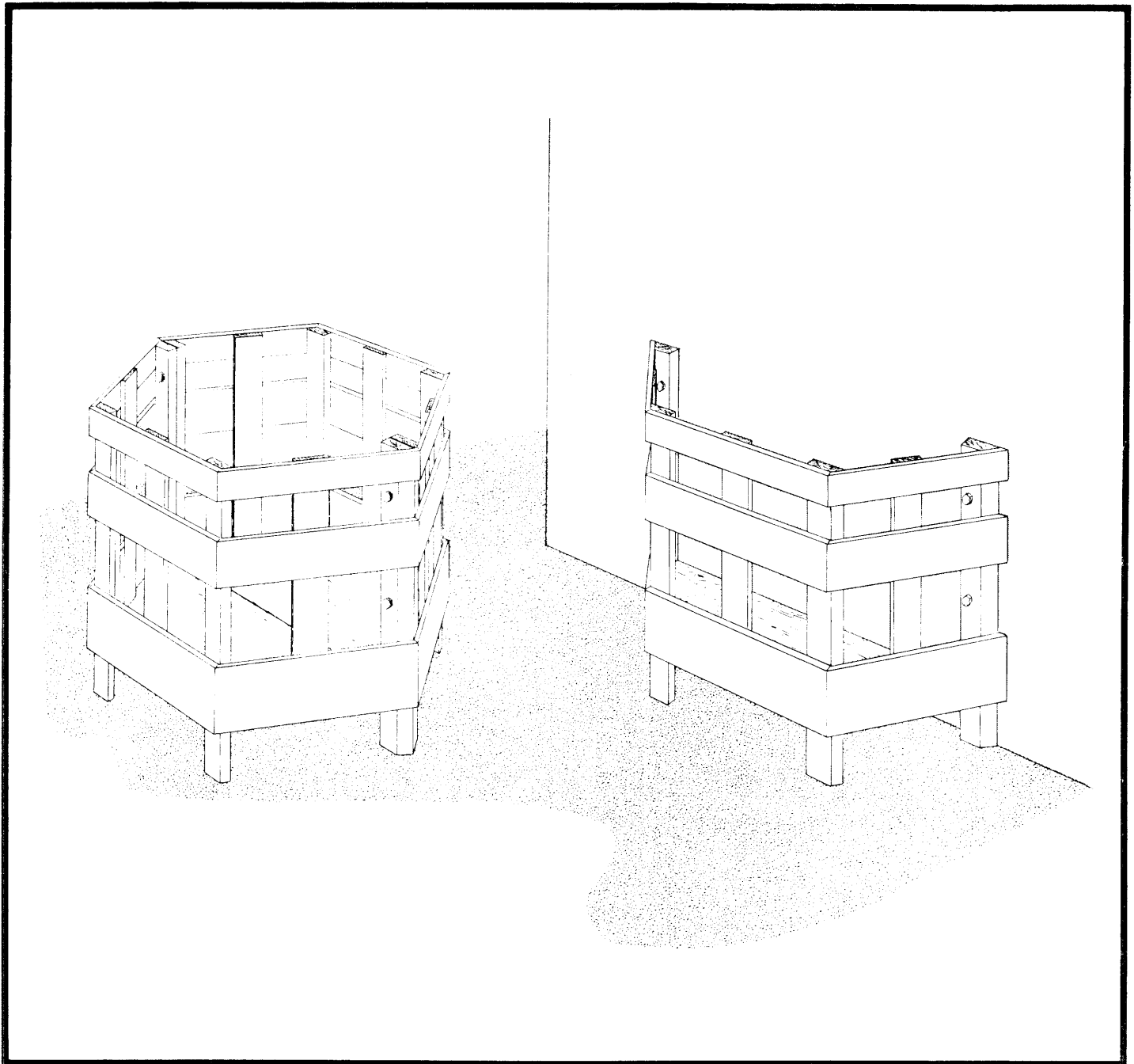


## 6-SIDED SHEEP FEEDER



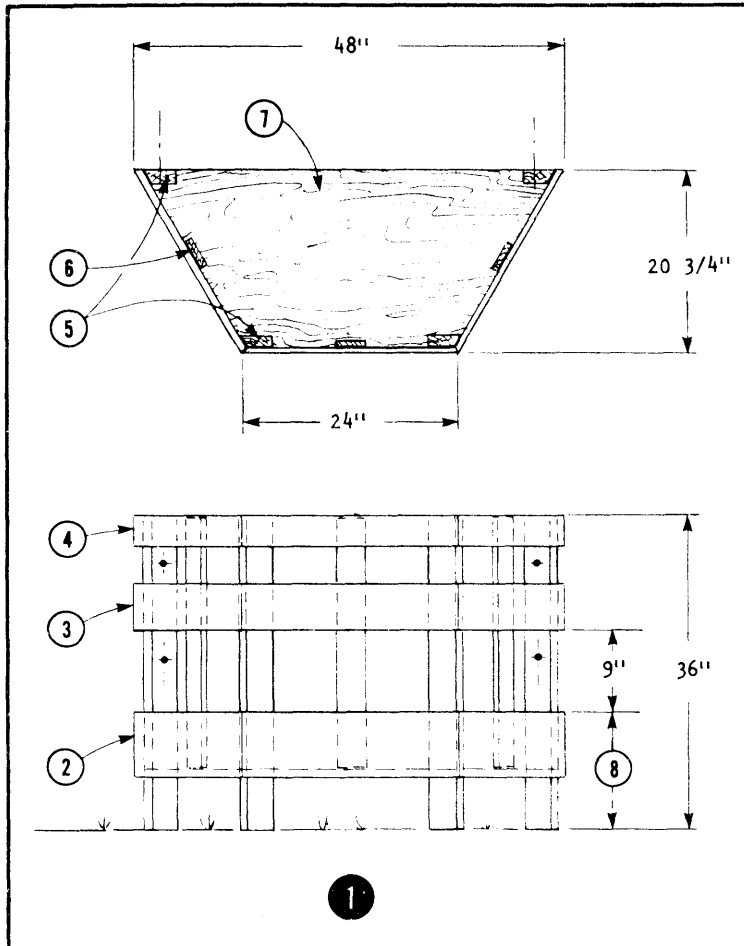
The Canada Plan Service prepares detailed plans showing how to construct modern farm buildings, livestock housing systems, storages and equipment for Canadian Agriculture.

This leaflet gives the details for a farm building component or piece of farmstead equipment. To obtain another copy of this leaflet, contact your local provincial agricultural engineer or extension advisor.

## 6-SIDED SHEEP FEEDER

NEW 4:75

This leaflet gives details of construction of a popular sheep feeder for feeding roughage. This feeder can be placed in a pen or split in half and attached to a wall or fence. It can be easily moved by tipping on its side and rolling.



- 1 half of 6-sided feeder shown; may be bolted to a wall or fence or two halves may be bolted to each other to form a 6-sided sheep feeder
- 2 1" x 8" keeper
- 3 1" x 6" crosspiece support
- 4 1" x 4" top support
- 5 2" x 4" x 3'-0" corner uprights
- 6 1" x 4" x 2'-0" spacers
- 7 3/4" plywood bottom
- 8 see leaflet 4000 for throat height